

Tolomeo Micro Table LED 3000K



IP20

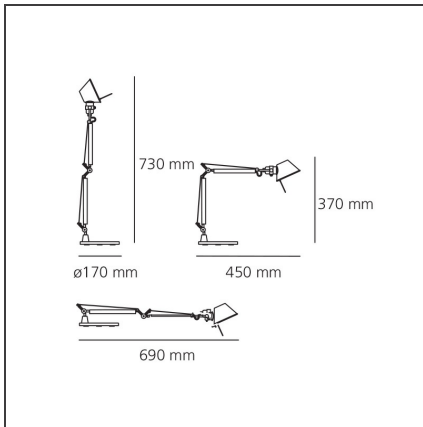
DESIGN BY

Michele De Lucchi, Giancarlo Fassina

DESCRIPTION

Using Led technology, the attention must be focused not only on energy consumption and light efficiency, but above all on the quality and quantity of the distribution of the light. In fact the advantage of the Led is that it emits 100% light flow into the direct hemisphere, eliminating dispersion and waste in other directions. This means that in order to obtain illuminance of 1250 lux on the work surface, with an incandescent light source a power of 100W is necessary, while with a Led source 10W is sufficient, with a 90% energy saving. Base and cantilevered arms in polished aluminium; diffuser in matt anodised aluminium; joints and supports in polished aluminium. System of spring balancing. The code is referred to the body lamp only

TECHNICAL DRAWINGS



FEATURES

| | | | |
|----------------------|-----------|------------------|------------------|
| Article Code: | A011900 | Material: | Aluminium, steel |
| Colour: | Aluminium | Series: | Design |
| Installation: | Table | | |

DIMENSIONS

| | | | |
|------------------------------|-------|------------------------------|-------|
| Length: | cm 45 | Max Extension Length: | cm 69 |
| Height: | cm 37 | Glow Wire Test: | 750 |
| Base Diameter: | cm 17 | | |
| Max Extension Height: | cm 73 | | |

INCLUDED SOURCES

| | | | |
|------------------|-----|-------------------------------|-------|
| Category: | LED | Color temperature (K): | 3000K |
| Number: | 1 | CRI: | 90 |
| Watt: | 9W | | |
| Type: | 0 | | |
| Class: | A | | |

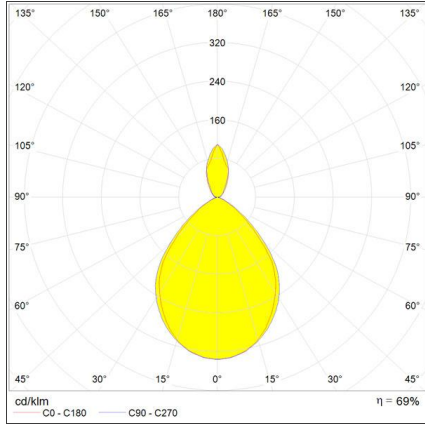
LUMINAIRE

| | | | |
|-----------------|-----|--------------------------------------|--------------------|
| Watt: | 9W | Delivered lumens output (lm): | 461lm |
| Voltage: | 24V | CCT: | 3000K |
| | | Efficiency: | 63% |
| | | Efficacy: | 51.17lm/W |
| | | CRI: | 90 |
| | | Dimmer Typology: | Microswitch Dimmer |

Notes

Interchangeable support: table base, clamp, desk fixed support and twin support that allows two independent lamp units to be fitted. Possibility to mount LED source on E14 Socket

LIGHT DISTRIBUTION



We reserve the right to change our product specifications.
Please visit www.artemide.com for the latest product information

March 2019