

# Tolomeo Micro Faretto LED 2700K with dimmable switch



IP20

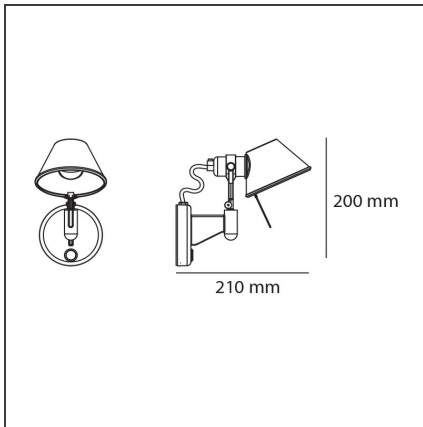
## DESIGN BY

Michele De Lucchi, Giancarlo Fassina

## DESCRIPTION

Wall support in polished aluminium; diffuser in matt anodised aluminium.

## TECHNICAL DRAWINGS



## FEATURES

<b>Article Code:</b>	A0436W00	<b>Material:</b>	Aluminium
<b>Colour:</b>	Aluminium	<b>Series:</b>	Design
<b>Installation:</b>	Wall		

## DIMENSIONS

<b>Length:</b>	cm 11	<b>Glow Wire Test:</b>	750
<b>Height:</b>	cm 20		
<b>Depth:</b>	cm 20		

## INCLUDED SOURCES

<b>Category:</b>	LED	<b>Color temperature (K):</b>	2700K
<b>Number:</b>	1	<b>Color Tolerance:</b>	MacAdam 2SDCM
<b>Watt:</b>	7W	<b>CRI:</b>	90
<b>Delivered lumens output (lm):</b>	676lm	<b>Efficacy:</b>	99lm/W
<b>Type:</b>	0	<b>Service Life:</b>	50000-L90

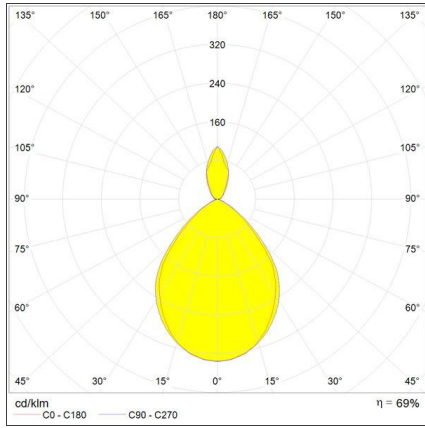
## LUMINAIRE

<b>Watt:</b>	9W	<b>Delivered lumens output (lm):</b>	461lm
<b>Voltage:</b>	100V-240V	<b>CCT:</b>	2700K
		<b>Efficiency:</b>	63%
		<b>Efficacy:</b>	51lm/W
		<b>CRI:</b>	90
		<b>Dimmer Typology:</b>	Microswitch Dimmer

## Notes

LED - with switch dimmer.

**LIGHT DISTRIBUTION**



We reserve the right to change our product specifications.  
Please visit [www.artemide.com](http://www.artemide.com) for the latest product information

March 2019