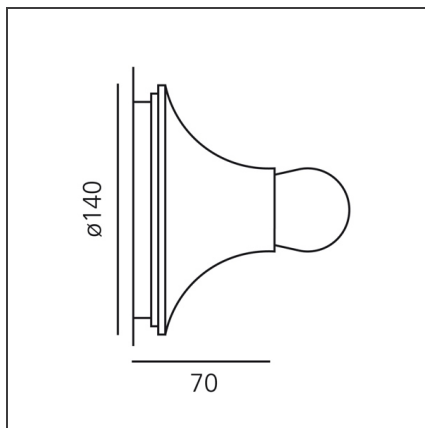


Teti Transparent



IP20    Dimmerable: +  -

TECHNICAL DRAWINGS



DESIGN BY

Vico Magistretti

FEATURES

Article Code:	A048100	Material:	Polycarbonate
Colour:	Transparent	Series:	Design
Installation:	Wall, Ceiling	Area contract:	Residential
Environment:	Indoor	Emission:	Direct

DIMENSIONS

Width: cm 7

NOT INCLUDED SOURCES

Category:	HALO	Color temperature (K):	2800K
Number:	1		
Watt:	30W		
Socket:	E27		

ALTERNATIVE SOURCES

Category:	LED
Number:	1
Watt:	6W
Delivered lumens output (lm):	470lm
Type:	2
Socket:	E27
Class:	A

LUMINAIRE

Watt:	30W
Voltage:	220V-240V

Notes

Packaged individually. It is possible to create multiple configurations.