

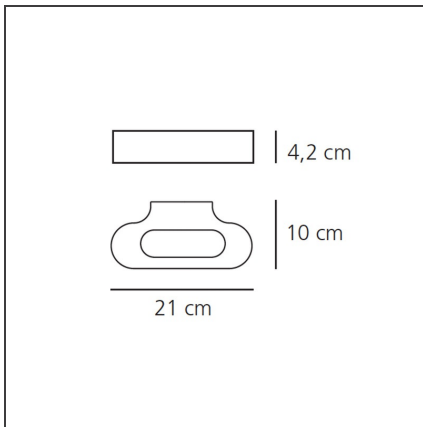
Talo wall LED - Polished chrome 3000K



IP20      

Dimmerable: +  -

TECHNICAL DRAWINGS



DESIGN BY

Neil Poulton

DESCRIPTION

FEATURES

Article Code:	0615030A	Material:	Aluminium, methacrylate, polycarbonate
Colour:	Polished chrome	Series:	Design
Installation:	Wall	Area contract:	Hospitality, null
Environment:	Indoor	Emission:	Direct/indirect

DIMENSIONS

Length:	cm 21	Glow Wire Test:	750°C
Width:	cm 10		
Height:	cm 4.2		

INCLUDED SOURCES

Category:	LED	Color temperature (K):	3000K
Number:	1		
Watt:	20W		
Delivered lumens output (lm):	1500lm		
Type:	0		
Class:	A		

LUMINAIRE

Power Supply:	Electronic	Delivered lumens output (lm):	1344lm
Watt:	20W	CCT:	3000K
Voltage:	220V-240V	Efficiency:	80%
		Efficacy:	67.19lm/W
		CRI:	90
		Dimmable Typology:	Push

Notes

Lamp included.