

Tagora Suspension 270 - LED 16° - 3000K - Black/Orange



IP20   Dimmerable: 

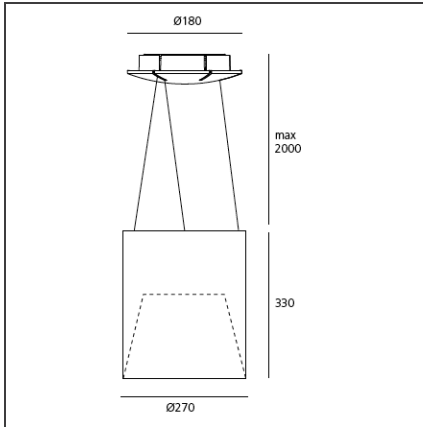
DESIGN BY

S./R. Cornelissen

DESCRIPTION

Series of suspended luminaires available in 4 diameters (80 mm, 270 mm, 570 mm, 970 mm), using high-output LEDs, Retrofit LEDs. □Aluminium body available in different two-coloured versions: beige/white, grey/white, black/orange, black/vert and black/blue. □Steel suspension cables allowing quick adjustment, 2 metre length. □Tagora 80 and 270 offer a high-output spot light with aluminium optics. □Tagora 270 uses a proprietary system based on a hybrid combined lens and reflector optic. This system helps to create defined narrow beams using high-powered LED modules of large dimensions. □Tagora 570 and 970 come with a PMMA diffuser, offering a comfortable diffused light. LED versions use high-output sources. □Integrated electronic power supply, dimmable or non-dimmable options, depending on the version. □Compliant with standard EN60598-1 and other specific standards.

TECHNICAL DRAWINGS



FEATURES

| | | | |
|----------------------|--------------|------------------|-----------|
| Article Code: | M249611 | Material: | Aluminium |
| Colour: | Black/Orange | Series: | Indoor |
| Installation: | Suspension | | |

DIMENSIONS

| | | | |
|---------------------------------|--------|------------------------|---------|
| Height: | cm 33 | Cutout shape: | Rounded |
| Weight: | kg 4.7 | Glow Wire Test: | 960 |
| Base Diameter: | cm 18 | | |
| Max Height from ceiling: | cm 200 | | |

INCLUDED SOURCES

| | | | |
|------------------|-----|-------------------------------|-----------------|
| Category: | LED | Color temperature (K): | 3000K |
| Number: | 1 | Color Tolerance: | MacAdam 1SDCM |
| Watt: | 34W | CRI: | 90 |
| Type: | 0 | Service Life: | L70 (6K) 50000h |
| Class: | A | | |

LUMINAIRE

| | | | |
|----------------------|--|--------------------------------------|-----------|
| Power Supply: | 220/240Vac 50/60Hz electronic ballast included | Delivered lumens output (lm): | 1804lm |
| Watt: | 34W | CCT: | 3000K |
| Voltage: | 220V-240V | Efficiency: | 47% |
| | | Efficacy: | 45.16lm/W |
| | | CRI: | 90 |
| | | Dimmable Typology: | Dali |