

Tagora Ceiling 570 - LED 3000K - Dali SwitchDim - Grey/White



IP40 Dimmerable:

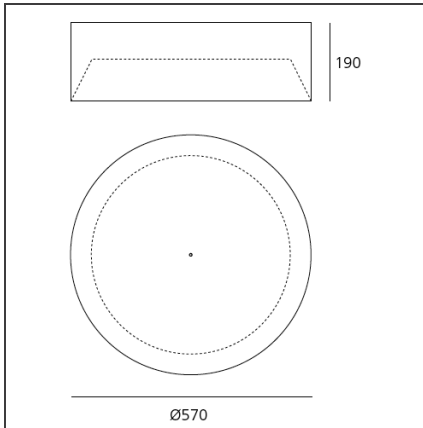
DESIGN BY

S./R. Cornelissen

DESCRIPTION

Series of ceiling mounted luminaires available in 4 diameters (80 mm, 270 mm, 570 mm, 970 mm), using high-output LEDs, Retrofit LEDs. □Aluminium body available in different two-coloured versions: beige/white, grey/white, black/orange, black/vert and black/blue. □Tagora 80 and 270 offer a high-output spot light with aluminium optics. □Tagora 270 uses a proprietary system based□on a hybrid combined lens and reflector optic. This system helps to create defined narrow beams using high-powered LED modules of large dimensions. □Tagora 570 and 970 come with a PMMA diffuser, offering a comfortable diffused light. LED versions use high-output sources. □Integrated electronic power supply, dimmable or non-dimmable options, depending on the version. Only ceiling mounted installation allowed.□Compliant with standard EN60598-1 and other specific standards.

TECHNICAL DRAWINGS



FEATURES

Article Code:	M248261	Material:	Aluminium
Colour:	Grey/White	Series:	Indoor
Installation:	Ceiling		

DIMENSIONS

Height:	cm 19	Cutout shape:	Rounded
Weight:	kg 4.9	Glow Wire Test:	650

INCLUDED SOURCES

Category:	LED	Color temperature (K):	3000K
Number:	1	Color Tolerance:	MacAdam 3SDCM
Watt:	58W	CRI:	80
Type:	0	Service Life:	L70 (6K) 50000h
Class:	A		

LUMINAIRE

Power Supply:	220/240Vac 50/60Hz electronic ballast included	Delivered lumens output (lm):	3593lm
Watt:	58W	CCT:	3000K
Voltage:	220V-240V	Efficiency:	43%
		Efficacy:	59.50lm/W
		CRI:	80
		Dimmable Typology:	Dali