

Surf Wall 300 - Dali SwitchDim - LED 4000K - White



IP20     Dimmerable: 

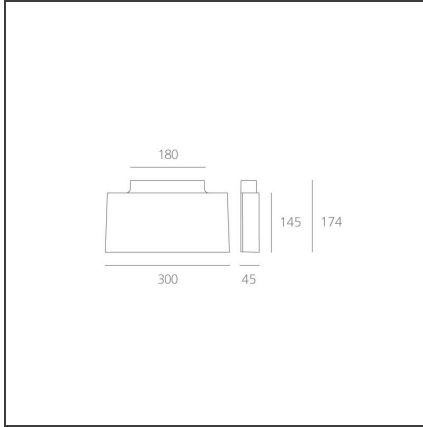
DESIGN BY

Neil Poulton

DESCRIPTION

High-performing LED wall-mounted light fitting.
 More than 3,400 lm flux installed.
 High efficiency: more than 70 lumen per watt.
 Available in warm white (3000K) and neutral white (4000K) – CRI=80 (typ).
 Materials: body in white or grey painted aluminium.
 Non-dimmable electronic power supply or DALI dimmable/Switchdim options.
 Compliant to standard EN62471, EN60598-1 and other specific regulations.

TECHNICAL DRAWINGS



FEATURES

Article Code:	M060221	Material:	Painted Aluminium
Colour:	White	Series:	Indoor
Installation:	Wall	Area contract:	Hospitality, null, Office, Residential
Environment:	Indoor	Emission:	Indirect

DIMENSIONS

Length:	cm 30	Glow Wire Test:	960
Width:	cm 17.4		
Height:	cm 4.5		
Weight:	kg 1.4		

INCLUDED SOURCES

Category:	LED	Color temperature (K):	4000K
Number:	1	Color Tolerance:	3SDCM
Watt:	31W	CRI:	80(typ.)
Delivered lumens output (lm):	3605lm	Efficacy:	116lm/W
Type:	0	Service Life:	L70(6K)>50000h
Class:	A		

LUMINAIRE

Power Supply:	Electronic	Delivered lumens output (lm):	3078lm
Watt:	35W	CCT:	4000K
Voltage:	220V-240V	Efficiency:	100%
		Efficacy:	87.94lm/W
		CRI:	80
		Dimmable Typology:	Dali