

Solar Led 625x625 - 4000K- undimmable



IP20  

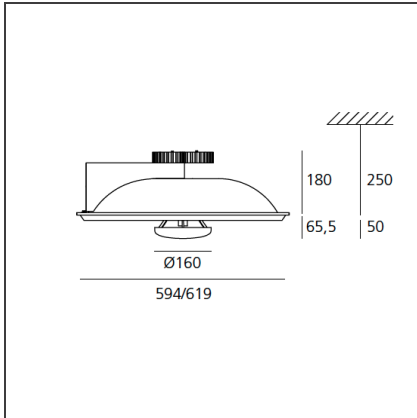
DESIGN BY

Eric Solè

DESCRIPTION

Solar LED is a recessed light fitting producing a soft, high-output light. High efficiency and light quality are achieved by an innovative optical system based on the principles of a lighthouse. The 'lighthouse' optic directs all LED luminous flux to a bespoke, highly-reflective surface. The light is then redirected on to the luminaire body, which is finished in a highly-efficient diffusing paint. The result is a diffused, comfortable, soft light emission, with a highly efficient performance.

TECHNICAL DRAWINGS



FEATURES

| | | | |
|---------------|----------|---------|--------|
| Article Code: | M033800 | Series: | Indoor |
| Colour: | White | | |
| Installation: | Recessed | | |

DIMENSIONS

| | | | |
|---------|--------|---------------|---------|
| Length: | cm 60 | Cutout shape: | Squared |
| Width: | cm 60 | | |
| Weight: | kg 5.5 | | |

INCLUDED SOURCES

| | | | |
|-------------------------------|--------|------------------------|------------------|
| Category: | LED | Color temperature (K): | 4000K |
| Number: | 1 | Color Tolerance: | MacAdam 3SDCM |
| Watt: | 42W | CRI: | 80 typ |
| Delivered lumens output (lm): | 4450lm | Efficacy: | 106lm/W |
| Type: | 0 | Service Life: | L70(6K) > 36000h |
| Class: | A | | |

LUMINAIRE

| | | | |
|-------|-----|-------------------------------|-----------|
| Watt: | 49W | Delivered lumens output (lm): | 2670lm |
| | | CCT: | 4000K |
| | | Efficiency: | 100% |
| | | Efficacy: | 54.49lm/W |
| | | CRI: | 80 |

ACCESSORIES

Recess frame for installation on plasterboard false ceiling.
600x600mm.
M160600



ALTOP FIXING BRACKETS (SET OF 4 PCS)
M163520



Recess frame for installation on plasterboard false ceiling.
625x625mm.
M160602