

Solar Led 600x600 - 3000K- undimmable



IP20  

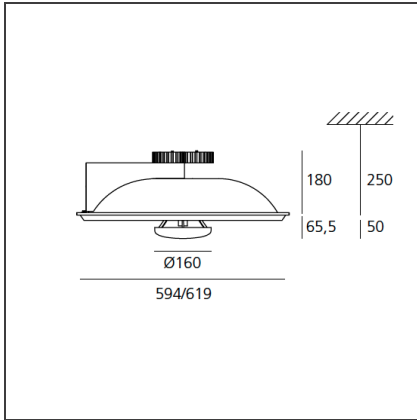
DESIGN BY

Eric Solè

DESCRIPTION

Solar LED is a recessed light fitting producing a soft, high-output light. High efficiency and light quality are achieved by an innovative optical system based on the principles of a lighthouse. The 'lighthouse' optic directs all LED luminous flux to a bespoke, highly-reflective surface. The light is then redirected on to the luminaire body, which is finished in a highly-efficient diffusing paint. The result is a diffused, comfortable, soft light emission, with a highly efficient performance.

TECHNICAL DRAWINGS



FEATURES

Article Code:	M033500	Series:	Indoor
Colour:	White		
Installation:	Recessed		

DIMENSIONS

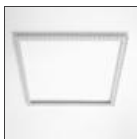
Length:	cm 60	Cutout shape:	Squared
Width:	cm 60		
Height:	cm 18		
Weight:	kg 5.5		

INCLUDED SOURCES

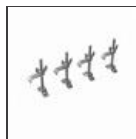
Category:	LED	Color temperature (K):	3000K
Number:	1	Color Tolerance:	MacAdam 3SDCM
Watt:	42W	CRI:	80 typ
Delivered lumens output (lm):	4200lm	Efficacy:	100lm/W
Type:	0	Service Life:	L70(6K) > 36000h
Class:	A		

LUMINAIRE

Watt:	49W	Delivered lumens output (lm):	2538lm
		CCT:	3000K
		Efficiency:	100%
		Efficacy:	51.80lm/W
		CRI:	80

ACCESSORIES

Recess frame for installation on plasterboard false ceiling.
600x600mm.
M160600



ALTOP FIXING BRACKETS (SET OF 4 PCS)
M163520



Recess frame for installation on plasterboard false ceiling.
625x625mm.
M160602