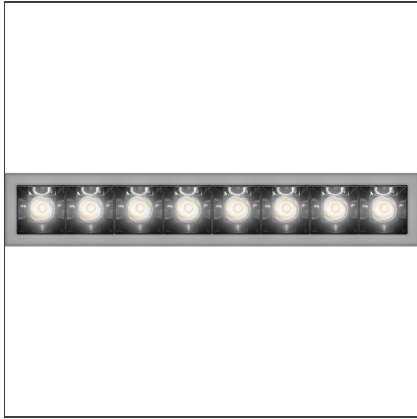


Sharp - 22W 17° 4000K Trim Silver



IP20  

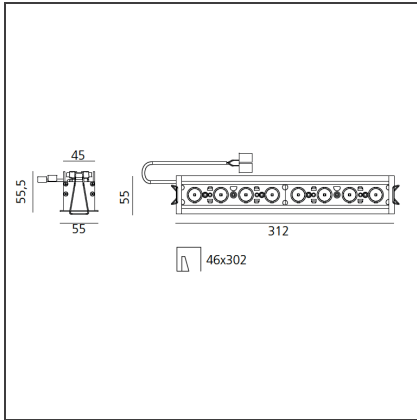
DESIGN BY

Carlotta de Bevilacqua

DESCRIPTION

High-efficiency patented optical system that combines polynomial perspective to an element that shields geometrically the angle of vision of the beam. High uniformity of illumination and full emission control. Complete absence of possible light flaws as stains and multi-shadows. Recessed depth 60 mm. Suitable for a ceiling of 1 to 25 mm. Available in trim versions, trimless and SMD.

TECHNICAL DRAWINGS



FEATURES

| | | | |
|----------------------|-------------------|----------------|--------|
| Article Code: | AF15305 | Series: | Indoor |
| Colour: | Silver | | |
| Installation: | Recessed, Ceiling | | |
| Environment: | Indoor | | |

DIMENSIONS

| | |
|----------------|---------|
| Length: | cm 31.2 |
| Width: | cm 5.5 |
| Height: | cm 5.5 |

INCLUDED SOURCES

| | | | |
|------------------|-----|-------------------------------|-------|
| Category: | LED | Color temperature (K): | 4000K |
| Number: | 1 | | |
| Watt: | 22W | | |
| Type: | 0 | | |
| Class: | A | | |

LUMINAIRE

| | | | |
|--------------|-----|--------------------------------------|-----------|
| Watt: | 22W | Delivered lumens output (lm): | 1721lm |
| | | CCT: | 4000K |
| | | Efficiency: | 76% |
| | | Efficacy: | 78.22lm/W |
| | | CRI: | 90 |

ACCESSORIES



Screen 4x White
AF95201



Screen 4x Black
AF95204



Driver 32 W
900mA
DV1004



Driver 40 W
900mA
DV1006



Driver 25,2 W
900mA
DV1003



Sharping wall grazer lens Kit (4pcs) - 26°x70° elliptical lenses kit. It has to be used on top of S 20° reflectors to get an elliptical beam (greter axis along the module lenght). It contains 4 lenses. AF06000