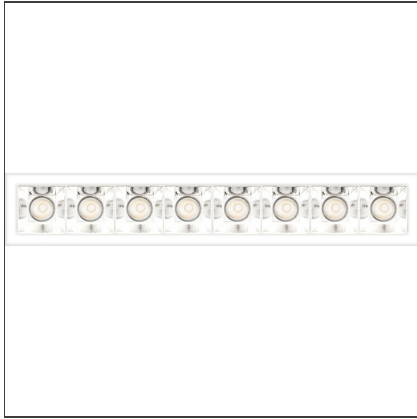


## Sharp - 22W 17° 3000K Trim White



IP20  

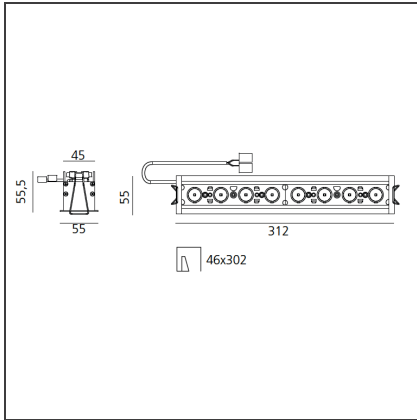
### DESIGN BY

Carlotta de Bevilacqua

### DESCRIPTION

High-efficiency patented optical system that combines polynomial perspective to an element that shields geometrically the angle of vision of the beam. High uniformity of illumination and full emission control. Complete absence of possible light flaws as stains and multi-shadows. Recessed depth 60 mm. Suitable for a ceiling of 1 to 25 mm. Available in trim versions, trimless and SMD.

### TECHNICAL DRAWINGS



### FEATURES

<b>Article Code:</b>	AF15001	<b>Series:</b>	Indoor
<b>Colour:</b>	White		
<b>Installation:</b>	Recessed, Ceiling		
<b>Environment:</b>	Indoor		

### DIMENSIONS

<b>Length:</b>	cm 31.2
<b>Width:</b>	cm 5.5
<b>Height:</b>	cm 5.5

### INCLUDED SOURCES

<b>Category:</b>	LED	<b>Color temperature (K):</b>	3000K
<b>Number:</b>	1		
<b>Watt:</b>	22W		
<b>Type:</b>	0		
<b>Class:</b>	A		

### LUMINAIRE

<b>Watt:</b>	22W	<b>Delivered lumens output (lm):</b>	1608lm
		<b>CCT:</b>	3000K
		<b>Efficiency:</b>	76%
		<b>Efficacy:</b>	73.08lm/W
		<b>CRI:</b>	90

**ACCESSORIES**

Driver 25,2 W  
900mA  
DV1003



Screen 4x White  
AF95201



Screen 4x Black  
AF95204



Driver 32 W  
900mA  
DV1004



Driver 40 W  
900mA  
DV1006



Sharping wall grazer lens Kit (4pcs) - 26°x70° elliptical lenses kit. It has to be used on top of S 20° reflectors to get an elliptical beam (greter axis along the module lenght). It contains 4 lenses. AF06000