

Poto Anthracite gray



IP65 

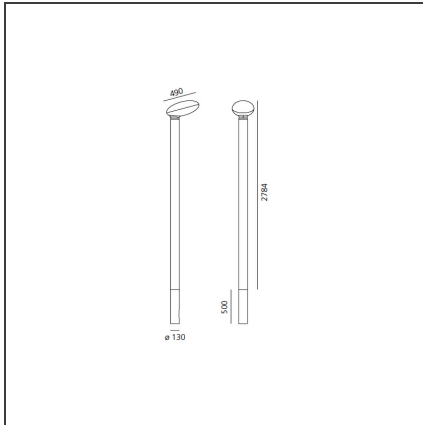
DESIGN BY

Ernesto Gismondi

DESCRIPTION

Pole appliance for direct lighting. Made up of a pole head attached to the pole with grub screws. The provided EN AW6060 aluminium pole should be bathed in concrete for 0.5m and rise 2.5m up from the ground. The lighting body is fitted with an IP67 connector supporting cables with 5 to 13.5 mm diameters, to be fitted inside the pole. The head has a transparent diffuser and a mat white top cap both in PMMA. The body fitted inside the pole is made of EN AW6060 aluminium. Silicon seals. Electronic power pack fitted inside the body suited for 4kV surges. Internal reflector of metallized zamac fiited by sanded glass filter. All the screws used for the outside of the product are made of AISI 316 INOX steel. All the aluminium parts are finished with a 3-stage outdoor treatment: nanotechnologies, anti-oxidizing primer, polyester paint. EC certification. Insulation class II

TECHNICAL DRAWINGS



FEATURES

Article Code:	T082620	Material:	Aluminum, methacrylate
Colour:	Anthracite gray	Series:	Outdoor
Installation:	Pole, Floor		

DIMENSIONS

Width:	cm 49
Height:	cm 278

INCLUDED SOURCES

Category:	LED	Color temperature (K):	3000K
Number:	1	Color Tolerance:	MacAdam 3SDCM
Watt:	45W	CRI:	80 typ
Delivered lumens output (lm):	2586lm	Efficacy:	57lm/W
Type:	0		
Class:	A		

LUMINAIRE

Watt:	45W	Delivered lumens output (lm):	2586lm
		CCT:	3000K
		Efficiency:	58%
		CRI:	80