

Pirce micro wall LED



IP20    Dimmerable: 

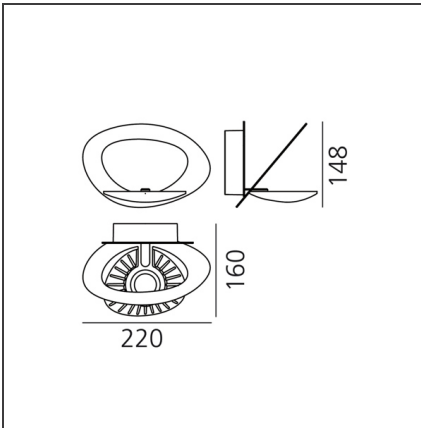
DESIGN BY

Giuseppe Maurizio Scutellà

DESCRIPTION

Specification: from a thin ceiling plate, gently descending waving spirals create enchanting effects of form and light.

TECHNICAL DRAWINGS



FEATURES

Article Code:	1248020A	Material:	Aluminum
Colour:	Gold	Series:	Design
Installation:	Wall		

DIMENSIONS

Length:	cm 22	Glow Wire Test:	650
Width:	cm 16		
Height:	cm 14.8		

INCLUDED SOURCES

Category:	LED	Color temperature (K):	3000K
Number:	1	Color Tolerance:	MacAdam 2SDCM
Watt:	27W	CRI:	90
Delivered lumens output (lm):	3200lm		
Type:	0		
Class:	A		

LUMINAIRE

Watt:	27W	Delivered lumens output (lm):	2768lm
Voltage:	220V-240V	CCT:	3000K
		Efficiency:	97%
		Efficacy:	102.52lm/W
		CRI:	90
		Dimmable Typology:	Push