

## Picto 70 LED track vertical - white 35° 4000K - Eutrac - Dali



IP20    Dimmerable: 

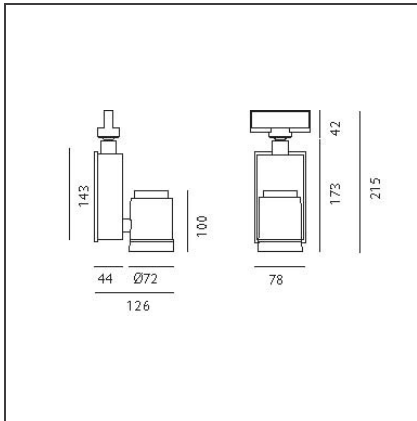
### DESIGN BY

Studio Artemide

### DESCRIPTION

This range of professional projectors is distinguished by design, excellent performance and flexibility. Picto is a complete and versatile range, suitable for use in retail spaces, showrooms, museums or art galleries. Available in 3 sizes, installation options, designs, colours, optics and a wide range of accessories.

### TECHNICAL DRAWINGS



### FEATURES

<b>Article Code:</b>	AD02401	<b>Material:</b>	aluminum
<b>Colour:</b>	White	<b>Series:</b>	Indoor
<b>Installation:</b>	Projector, Track, Ceiling	<b>Area contract:</b>	Hospitality, Retail, Culture
<b>Environment:</b>	Indoor		

### DIMENSIONS

<b>Length:</b>	cm 7.8	<b>Glow Wire Test:</b>	850
<b>Height:</b>	cm 21.5		
<b>Weight:</b>	kg 1.2		
<b>Inclination:</b>	-90+90		
<b>Rotation:</b>	cm 355		

### INCLUDED SOURCES

<b>Category:</b>	LED	<b>Color temperature (K):</b>	4000K
<b>Number:</b>	1	<b>Color Tolerance:</b>	MacAdam 2SDCM
<b>Watt:</b>	20W	<b>Service Life:</b>	Life L70 (6K) 50000h
<b>Type:</b>	0		
<b>Class:</b>	A		

### LUMINAIRE

<b>Power Supply:</b>	Power supply 220/240Vac 50/60Hz included	<b>Delivered lumens output (lm):</b>	1806lm
		<b>CCT:</b>	4000K
		<b>CRI:</b>	90
<b>Watt:</b>	20W	<b>Dimmable Typology:</b>	Dali

**ACCESSORIES**

Accessory-holder  
(nero) + projection  
lens and framing  
device  
M083937



Accessory-holder  
(black) +  
Adjustable dowser  
(black)  
M082837



Accessory for  
ceiling installation  
(white)  
L176320



Accessory-holder  
(black) +  
Projection lens for  
gobo. Customized  
gobo to be  
ordered  
separately  
M083837



Accessory-holder  
(black) + wall  
washer screen  
(black)  
M083037