

**Picto 70 LED track vertical - white 35° 3000K - Not dimmable**



IP20   

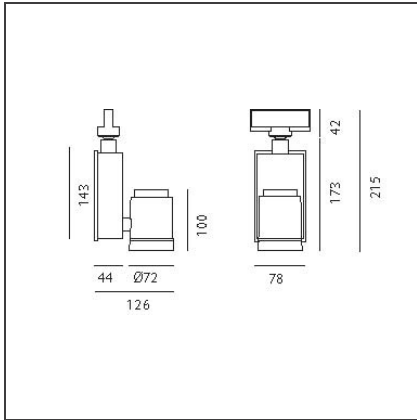
**DESIGN BY**

Studio Artemide

**DESCRIPTION**

This range of professional projectors is distinguished by design, excellent performance and flexibility. Picto is a complete and versatile range, suitable for use in retail spaces, showrooms, museums or art galleries. Available in 3 sizes, installation options, designs, colours, optics and a wide range of accessories.

**TECHNICAL DRAWINGS**



**FEATURES**

<b>Article Code:</b>	AD01101	<b>Material:</b>	aluminum
<b>Colour:</b>	White	<b>Series:</b>	Indoor
<b>Installation:</b>	Projector, Track, Ceiling	<b>Area contract:</b>	Hospitality, Retail, Culture
<b>Environment:</b>	Indoor		

**DIMENSIONS**

<b>Length:</b>	cm 7.8	<b>Glow Wire Test:</b>	850
<b>Height:</b>	cm 21.5		
<b>Weight:</b>	kg 1.2		
<b>Inclination:</b>	-90+90		
<b>Rotation:</b>	cm 355		

**INCLUDED SOURCES**

<b>Category:</b>	LED	<b>Color temperature (K):</b>	3000 K
<b>Number:</b>	1	<b>Color Tolerance:</b>	MacAdam 2SDCM
<b>Watt:</b>	20 W	<b>Service Life:</b>	Life L70 (6K) 50000h
<b>Type:</b>	0		
<b>Class:</b>	A		

**LUMINAIRE**

<b>Power Supply:</b>	Power supply 220/240Vac 50/60Hz included	<b>Delivered lumens output (lm):</b>	1753lm
<b>Watt:</b>	20W	<b>CCT:</b>	3000K
		<b>Efficiency:</b>	86%
		<b>Efficacy:</b>	87.63lm/W
		<b>CRI:</b>	90

**ACCESSORIES**

Accessory-holder  
(nero) + projection  
lens and framing  
device  
M083937



Accessory-holder  
(black) +  
Adjustable dowser  
(black)  
M082837



Accessory for  
ceiling installation  
(white)  
L176320



Accessory-holder  
(black) +  
Projection lens for  
gobo. Customized  
gobo to be  
ordered  
separately  
M083837



Accessory-holder  
(black) + wall  
washer screen  
(black)  
M083037