

Picto 70 LED track vertical - black 14° 3000K - Dali



IP20    Dimmerable: 

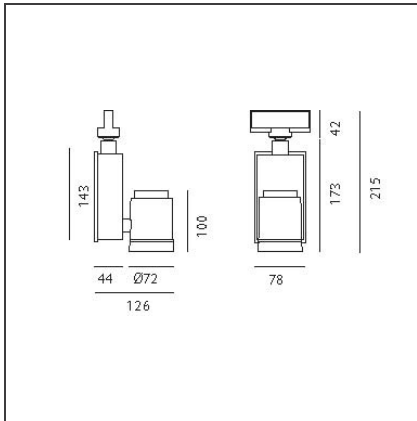
DESIGN BY

Studio Artemide

DESCRIPTION

This range of professional projectors is distinguished by design, excellent performance and flexibility. Picto is a complete and versatile range, suitable for use in retail spaces, showrooms, museums or art galleries. Available in 3 sizes, installation options, designs, colours, optics and a wide range of accessories.

TECHNICAL DRAWINGS



FEATURES

| | | | |
|----------------------|---------------------------|-----------------------|------------------------------|
| Article Code: | AD03704 | Material: | aluminum |
| Colour: | Black | Series: | Indoor |
| Installation: | Projector, Track, Ceiling | Area contract: | Hospitality, Retail, Culture |
| Environment: | Indoor | | |

DIMENSIONS

| | | | |
|---------------------|---------|------------------------|-----|
| Length: | cm 7.8 | Glow Wire Test: | 850 |
| Height: | cm 21.5 | | |
| Weight: | kg 1.2 | | |
| Inclination: | -90+90 | | |
| Rotation: | cm 355 | | |

INCLUDED SOURCES

| | | | |
|------------------|------|-------------------------------|----------------------|
| Category: | LED | Color temperature (K): | 3000 K |
| Number: | 1 | Color Tolerance: | MacAdam 2SDCM |
| Watt: | 20 W | Service Life: | Life L70 (6K) 50000h |
| Type: | 0 | | |
| Class: | A | | |

LUMINAIRE

| | | | |
|----------------------|--|--------------------------------------|-----------|
| Power Supply: | Power supply 220/240Vac 50/60Hz included | Delivered lumens output (lm): | 1095lm |
| | | CCT: | 3000K |
| Watt: | 20W | Efficiency: | 69% |
| | | Efficacy: | 54.76lm/W |
| | | CRI: | 90 |
| | | Dimmable Typology: | Dali |

ACCESSORIES

Accessory-holder
(white) +
Adjustable dowser
(black)
M082817



Accessory for
ceiling installation
(black)
L176330



Accessory-holder
(bianco) +
Projection lens for
gobo. Customized
gobo to be
ordered
separately
M083817



Accessory-holder
(white) + wall
washer screen
(black)
M083017



Accessory-holder
(white) +
projection lens
and framing
device
M083917