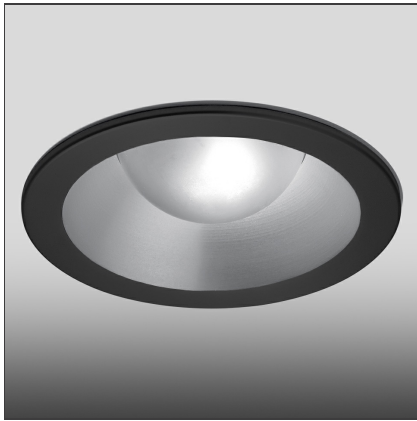


## Parabola80\_round\_12W\_64°\_2700K\_Black



IP40 

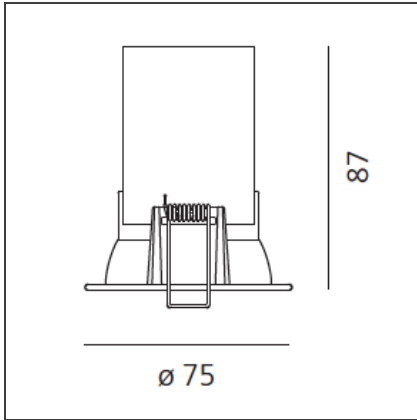
### DESIGN BY

Studio Artemide

### DESCRIPTION

Light fixture with high-performance LED light sources, consists of: frame, body, lens, fixing springs. Frame in injection mould of aluminium. Heat sink body in extruded aluminium. Lens in polycarbonate with 3 different versions of beam. Fixing springs in harmonic steel. Electrical connection to the driver by means of a FEP-FEP cable and a terminal board. Technical features of light fixtures in compliance with EN60598-1.

### TECHNICAL DRAWINGS



### FEATURES

<b>Article Code:</b>	NL1906360Y004	<b>Material:</b>	Aluminium
<b>Colour:</b>	Black	<b>Series:</b>	Indoor
<b>Installation:</b>	Recessed, Ceiling	<b>Area contract:</b>	Hospitality, null, Retail, Office, Culture, Residential
<b>Environment:</b>	Indoor		

### DIMENSIONS

<b>Weight:</b>	kg 0.3	<b>Cutout diameter:</b>	cm 6.8
<b>Recessed depth:</b>	cm 8.7	<b>Cutout shape:</b>	Rounded

### INCLUDED SOURCES

<b>Category:</b>	LED	<b>Color temperature (K):</b>	2700K
<b>Number:</b>	1	<b>Color Tolerance:</b>	3SDCM
<b>Watt:</b>	12W	<b>CRI:</b>	90
<b>Delivered lumens output (lm):</b>	1447lm	<b>Efficacy:</b>	121lm/W
<b>Type:</b>	0	<b>Service Life:</b>	L70(6K)>60000h
<b>Class:</b>	A		

### LUMINAIRE

<b>Power Supply:</b>	Driver 350 mA SELV supplied separately.	<b>Delivered lumens output (lm):</b>	928lm
<b>Watt:</b>	12W	<b>CCT:</b>	2700K
		<b>CRI:</b>	90

**ACCESSORIES**

---

NO  
IMAGE  
AVAILABLE

ALIMENTATORE  
16.8W  
350/500/700MA  
DALI  
NL104210

NO  
IMAGE  
AVAILABLE

DRIVER cc 15W  
350mA 220-240  
125 38 23 1max  
Non dimmable  
M077500