

Pantarei 190 LED Sandblasted glass Black



IP65    

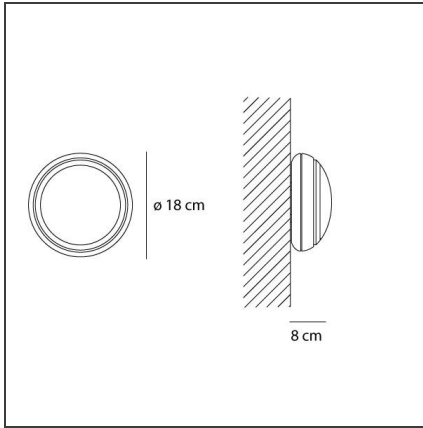
DESIGN BY

Ernesto Gismondi

DESCRIPTION

Phospho-cromated die-cast aluminium structure, painted with polyester for maximum resistance to oxidation; inox-steel screws and bolts in silicone rubber. Diffuser in sanded-blasted glass.

TECHNICAL DRAWINGS



FEATURES

| | | | |
|----------------------|---------------|------------------|-----------------------------|
| Article Code: | T277630 | Material: | Aluminum, sandblasted glass |
| Colour: | Black | Series: | Outdoor |
| Installation: | Wall, Ceiling | Emission: | Diffused |
| Environment: | Indoor | | |

DIMENSIONS

| | | | |
|----------------|------|---------------------------|------|
| Height: | cm 8 | Impact Resistance: | IK06 |
|----------------|------|---------------------------|------|

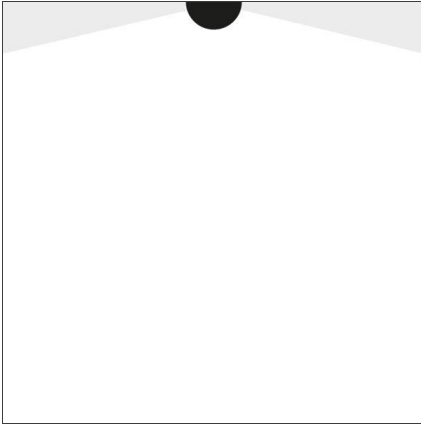
INCLUDED SOURCES

| | | | |
|------------------|-----|-------------------------------|-------|
| Category: | LED | Color temperature (K): | 3000K |
| Number: | 1 | CRI: | 80 |
| Watt: | 11W | | |
| Type: | 0 | | |
| Class: | A | | |

LUMINAIRE

| | | | |
|-----------------|-----------|--------------------------------------|-----------|
| Watt: | 10W | Delivered lumens output (lm): | 540lm |
| Voltage: | 220V-240V | CCT: | 3000K |
| | | Efficiency: | 65% |
| | | Efficacy: | 53.97lm/W |
| | | CRI: | 90 |

LIGHT DISTRIBUTION



We reserve the right to change our product specifications.
Please visit www.artemide.com for the latest product information

March 2019