

Pad Square Track - 29W 3000K - 24°



IP40 

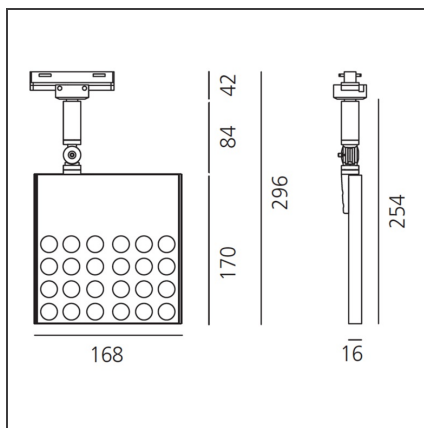
DESIGN BY

Carlotta de Bevilacqua

DESCRIPTION

An extension of the PAD (POÈME DE L'ANGLE DROIT) concept, PAD SQUARE houses an array of 24 LEDs (26W in total) placed on the aluminium body that acts as heat dissipator. The special, patented electrical system houses the power supply within the shell, and allows a direct connection to the electrical network. A translucent cover in polycarbonate closes off the body. It acts as a support for the various lenses, ensures protection for the electrical parts and provides a diffused lighting effect. Rotation of up to 358°, tilt angle of up to 180°. 4 installation options: with adaptor for 3-circuit track, with gear plate for mounting within Algoritmo product range, wall/ceiling mounted version, or base plate for semi-recessed mounting. Complies with EN60598-1 and other specific standards.

TECHNICAL DRAWINGS



FEATURES

| | | | |
|----------------------|-------------------------------------|-----------------------|---------------------------------|
| Article Code: | M201703 | Material: | Extruded aluminium, translucent |
| Colour: | translucent/anodized | Series: | polycarbonate Indoor |
| Installation: | Projector, Track, Recessed, Ceiling | Area contract: | Retail, Culture |
| | | Emission: | Accent lighting |

DIMENSIONS

| | | | |
|---------------------|----------|------------------------|------|
| Length: | cm 16.8 | Glow Wire Test: | 650° |
| Width: | cm 1.6 | | |
| Height: | cm 25.4 | | |
| Weight: | kg 0.7 | | |
| Inclination: | cm 9,090 | | |
| Rotation: | 358° | | |
| Depth: | cm 1.6 | | |

INCLUDED SOURCES

| | | | |
|--------------------------------------|--------|-------------------------------|-----------------|
| Category: | LED | Color temperature (K): | 3000K |
| Number: | 1 | Color Tolerance: | 4SDCM |
| Watt: | 24W | CRI: | =80(typ.) |
| Delivered lumens output (lm): | 1988lm | Efficacy: | 83lm/W |
| Type: | 0 | Service Life: | L70(14K)>81600h |
| Class: | A | | |

LUMINAIRE

| | | | |
|----------------------------------|-------------------------|--------------------------------------|-----------|
| Transformer availability: | Included (non dimmable) | Delivered lumens output (lm): | 1650lm |
| Watt: | 29.0W | CCT: | 3000K |
| Voltage: | 230-240V | Efficiency: | 100% |
| | | Efficacy: | 56.90lm/W |
| | | CRI: | 0 |

Notes

LED 26W 2x12° 3000K