

# Pad Square Ceiling - 29W 4000K - 12°



IP40 

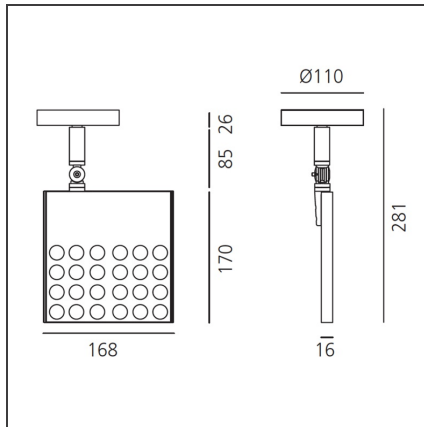
## DESIGN BY

Carlotta de Bevilacqua

## DESCRIPTION

An extension of the PAD (POÈME DE L'ANGLE DROIT) concept, MAXI PAD houses an array of 24 LEDs (26W in total) placed on the aluminium body that acts as heat dissipator. The special, patented electrical system houses the power supply within the shell, and allows a direct connection to the electrical network. A translucent cover in polycarbonate closes off the body. It acts as a support for the various lenses, ensures protection for the electrical parts and provides a diffused lighting effect. Rotation of up to 358°, tilt angle of up to 180°. 3 mounting options: with three-phase track adapter, with surface ceiling plate or semi-recessed. Complies with EN60598-1 and other specific standards. LED 24 x 1,1W (total power 32W) Output : Warm white 1800lm - Neutral white 2040lm.CRI > 80.Service life 50,000 hours at 70% luminous flux.Complies with CEI EN 62471 and other specific standards.

## TECHNICAL DRAWINGS



## FEATURES

<b>Article Code:</b>	M201601	<b>Material:</b>	Aluminium, Polycarbonat
<b>Colour:</b>	Translucent/anodized	<b>Series:</b>	Indoor
<b>Installation:</b>	Projector, Track, Recessed, Ceiling	<b>Area contract:</b>	Retail, Culture
		<b>Emission:</b>	Accent lighting

## DIMENSIONS

<b>Length:</b>	cm 16.8	<b>Glow Wire Test:</b>	650°
<b>Width:</b>	cm 1.6		
<b>Height:</b>	cm 28.1		
<b>Weight:</b>	kg 1		
<b>Inclination:</b>	cm 9,090		
<b>Rotation:</b>	358°		
<b>Depth:</b>	cm 1.6		

## INCLUDED SOURCES

<b>Category:</b>	LED	<b>Color temperature (K):</b>	4000K
<b>Number:</b>	1	<b>Color Tolerance:</b>	4SDCM
<b>Watt:</b>	24W	<b>CRI:</b>	=80(typ.)
<b>Delivered lumens output (lm):</b>	2120lm	<b>Efficacy:</b>	88lm/W
<b>Type:</b>	0	<b>Service Life:</b>	L70(14K)>81600h
<b>Class:</b>	A		

## LUMINAIRE

<b>Trasformer availability:</b>	Included (non dimmable)	<b>Delivered lumens output (lm):</b>	1760lm
<b>Watt:</b>	29.0W	<b>CCT:</b>	4000K
<b>Voltage:</b>	230-240V	<b>Efficiency:</b>	100%
		<b>Efficacy:</b>	60.69lm/W
		<b>CRI:</b>	0

## Notes

LED 26W 2x6° 4000K