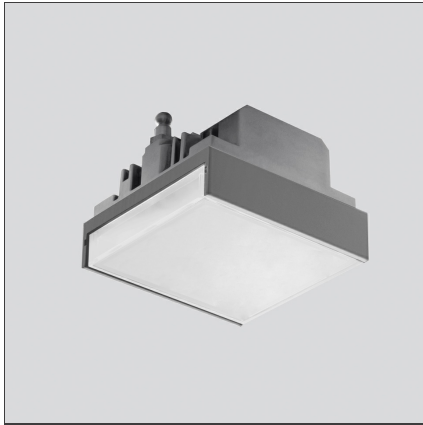


Pad 80 fixed diffuser - Gloss anodized - 9,5W 3000K - 98°



IP44

DESIGN BY

Carlotta de Bevilacqua

DESCRIPTION

Efficient, clear accent lighting, fixed and adjustable.

Diffused ambient lighting (in fixed version).

2 colour temperatures: warm white (3000K) and neutral white (4000K) - CRI=80 (min.).

Excellent lighting efficiency > 70lm/W. High adjustability: 360° rotation, +90°/-90° tilt angle.

Fixed version available as IP44. Easy installation of light modules, no tools required.

Lighting units available in 3 finishes: gloss aluminium, painted white, painted black.

Structural elements of recessed-mounted version available in 3 sizes, for use with 1, 2, 3 and 2x2 modules.

3 compatible finishes (polished aluminium, white, and black).

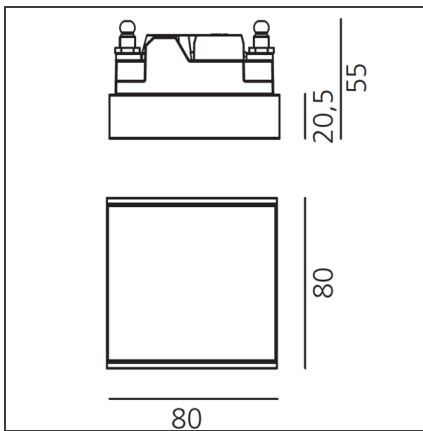
Housing of ceiling-mounted version available in 3 sizes (1, 2, 3 lighting units), and 3 compatible finishes (polished aluminium, white and black).

Recessed-mounted version available as trimless or framed.

Materials: body in anodized extruded aluminium, diffuser in opal polycarbonate.

Complies with standard EN60598-1 and other specific standards.

TECHNICAL DRAWINGS



FEATURES

| | | | |
|----------------------|---------------------|-----------------------|------------------------------------|
| Article Code: | M245360 | Series: | Indoor |
| Colour: | Gloss anodized | Area contract: | Hospitality, null, Retail, Culture |
| Installation: | Projector, Recessed | | |

DIMENSIONS

| | | | |
|------------------------|--------|-------------------------------|----------|
| Length: | cm 8 | Cutout shape: | Squared |
| Width: | cm 8 | Glow Wire Test: | 650 |
| Height: | cm 2 | Hole in false ceiling: | 80x80 mm |
| Weight: | kg 0.3 | | |
| Recessed depth: | cm 5.5 | | |

INCLUDED SOURCES

| | | | |
|--------------------------------------|-------|-------------------------------|------------------|
| Category: | LED | Color temperature (K): | 3000K |
| Number: | 1 | Color Tolerance: | MacAdam 4SDCM |
| Watt: | 9W | CRI: | =80 (min.) |
| Delivered lumens output (lm): | 851lm | Efficacy: | 95lm/W |
| Type: | 0 | Service Life: | L70(6K) > 60500h |
| Class: | A | | |

LUMINAIRE

| | | | |
|-----------------|------|--------------------------------------|-----------|
| Watt: | 9.5W | Delivered lumens output (lm): | 620lm |
| Voltage: | 12V | CCT: | 3000K |
| | | Efficiency: | 100% |
| | | Efficacy: | 65.24lm/W |
| | | CRI: | 80 |

Notes

LED 9W 2x61° 3000K