

## Obice Micro - 32° IP40 - White



IP40 

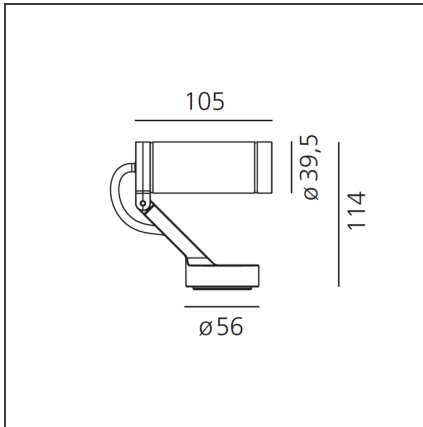
### DESIGN BY

Alessandro Pedretti

### DESCRIPTION

Light fixture with high-performance LED light sources. Wall installation. Composed by: body, adjustable joint, terminal board and protective screen. Body in injection mould of aluminium. Terminal base and adjustable joint in injection mould of aluminium. Protection screen in tempered glass, 3mm-thick, with black opal serigraphy. Integrated driver. Tilting angle +35°/-125° Rotation on horizontal axis: 359°. Wiring to be carried out by means of a plug located in the terminal base. Technical features of light fixtures in compliance with EN60598-1. Installation must be carried out by specialized personnel. Carefully follow the instructions.

### TECHNICAL DRAWINGS



### FEATURES

<b>Article Code:</b>	M3160WFLW20	<b>Material:</b>	Steel, silk screened glass
<b>Colour:</b>	White	<b>Series:</b>	Outdoor
<b>Installation:</b>	Wall		

### DIMENSIONS

<b>Length:</b>	cm 10.5
<b>Height:</b>	cm 11.4
<b>Weight:</b>	kg 0.3
<b>Base Diameter:</b>	cm 5.6

### INCLUDED SOURCES

<b>Category:</b>	LED	<b>Color temperature (K):</b>	3000K
<b>Number:</b>	1	<b>CRI:</b>	80
<b>Watt:</b>	3W		
<b>Type:</b>	0		
<b>Class:</b>	A		

### LUMINAIRE

<b>Watt:</b>	3W	<b>Delivered lumens output (lm):</b>	115lm
<b>Voltage:</b>	220/240Vac	<b>CCT:</b>	3000K
		<b>Efficiency:</b>	87%
		<b>Efficacy:</b>	38.41lm/W
		<b>CRI:</b>	80