

Obice - 34° 3000K - White



IP65 

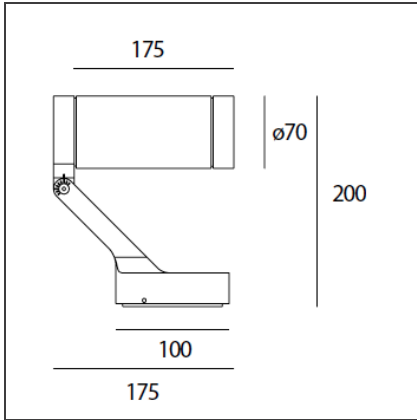
DESIGN BY

Alessandro Pedretti

DESCRIPTION

Lights fixture with high-performance LED light sources. Wall installation. Composed by: body, adjustable joint, terminal board and protective screen. Body in injection mould of aluminium. Terminal base and adjustable joint in injection mould of aluminium. Flange, protection screen in tempered glass, 4mm-thick, with black opal serigraphy. 24Vdc remote driver. White monochromatic LEDs available in 2 colour temperatures: Warm = 3000K Neutral = 4000K Tilting angle +35°/-125° Rotation on horizontal axis: 359°. Wiring to be carried out by means of a plug located in the terminal base. IP Rating IP65. Insulation class I (Obice), insulation class III (Obice mini). Technical features of light fixtures in compliance with EN60598-1. Installation must be carried out by specialized personnel. Carefully follow the instructions.

TECHNICAL DRAWINGS



FEATURES

<b>Article Code:</b>	T430534W20	<b>Material:</b>	Steel, silk screened
<b>Colour:</b>	White		glass
<b>Installation:</b>	Wall, Ceiling	<b>Series:</b>	Outdoor

DIMENSIONS

<b>Length:</b>	cm 17.5
<b>Height:</b>	cm 20
<b>Weight:</b>	kg 1.2

INCLUDED SOURCES

<b>Category:</b>	LED	<b>Color temperature (K):</b>	3000K
<b>Number:</b>	1	<b>Efficacy:</b>	17lm/W
<b>Watt:</b>	10W		
<b>Delivered lumens output (lm):</b>	378lm		
<b>Type:</b>	0		
<b>Class:</b>	A		

LUMINAIRE

<b>Power Supply:</b>	Eelectronic included	<b>Delivered lumens output (lm):</b>	605lm
<b>Watt:</b>	10W	<b>CCT:</b>	3000K
<b>Voltage:</b>	220/240Vac	<b>Efficiency:</b>	54%
		<b>Efficacy:</b>	47lm/W
		<b>CRI:</b>	80

**ACCESSORIES**

Filter holder white  
T430600020



Lens for elliptical  
emission  
T430700000



Filter holder black  
T430600010