

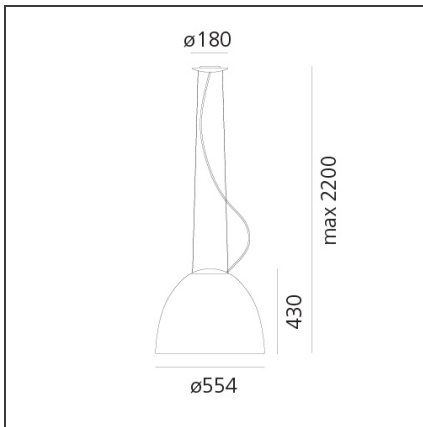
Nur LED - Suspension - Anodized Aluminum



IP20

Dimmerable: + -

TECHNICAL DRAWINGS



DESIGN BY

Ernesto Gismondi

DESCRIPTION

FEATURES

Article Code:	A243310	Material:	Aluminium, methacrylate, glass
Colour:	Anodized aluminum	Series:	Design
Installation:	Suspension	Area contract:	Hospitality, Office, Residential
Environment:	Indoor	Emission:	Direct/indirect

DIMENSIONS

Height:	cm 43	Glow Wire Test:	650°C
Base Width:	cm 18		
Max Height from ceiling:	cm 220		

INCLUDED SOURCES

Category:	LED	Color temperature (K):	2700K
Number:	1	Color Tolerance:	MacAdam 2SDCM
Watt:	37W	CRI:	90
Delivered lumens output (lm):	3747lm	Efficacy:	103lm/W
Type:	0	Service Life:	50000-L70
Class:	A		

LUMINAIRE

Power Supply:	Electronic Integrated	Delivered lumens output (lm):	1882lm
Watt:	45W	CCT:	2700K
Voltage:	220V-240V	Efficiency:	52%
		Efficacy:	41.82lm/W
		CRI:	90
		Dimmable Typology:	Push

Notes

As accessory, are available an antidazzle cap and a coloured filter.