






Nesso White



IP20     

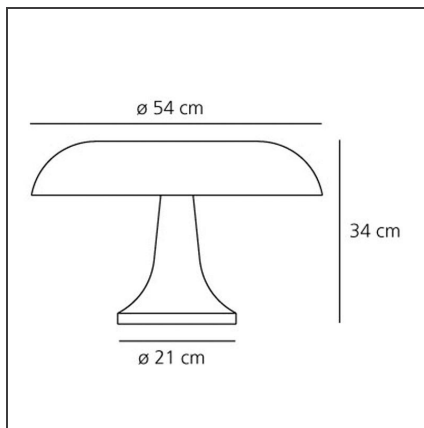
DESIGN BY

Giancarlo Mattioli, Gruppo Architetti Urbanisti Città Nuova

DESCRIPTION

Designed by Giancarlo Mattioli and Gruppo Architetti Urbanisti Città Nuova, in the glamorous 60's era, Nesso is an international icon of futuristic, democratic design. Part of the "Modern Classics" reissued line, it was a marvel of ABS thermoplastic injection-molding when first introduced in 1967 thus bringing industrial materials and methods to the home and office environments. A dash of color and a design inspired from nature, Nesso stems from the visionary identity of Artemide. Its' iconic curves wind into a true collectible, an expressive statement piece of internationally acclaimed calibre and fame. An iconic piece having staged its presence in various landmarks, Nesso is considered a valuable piece of art. An "icon" of design, part of the permanent collections of The Metropolitan Museum of Art and The Museum of Modern Art.

TECHNICAL DRAWINGS



FEATURES

Article Code:	0056010A	Material:	ABS
Colour:	White	Series:	Design, Modern Classic
Installation:	Table	Emission:	Diffused And Direct
Environment:	Indoor		

DIMENSIONS

Height:	cm 34	Impact Resistance:	N/D
Base Diameter:	cm 21	Glow Wire Test:	850°C

NOT INCLUDED SOURCES

Category:	HALO	Class:	A
Number:	4		
Watt:	20W		
Socket:	E14		

ALTERNATIVE SOURCES

Category:	LED
Number:	4
Watt:	2W
Type:	2
Socket:	E14
Class:	A

LUMINAIRE

Watt:	80W
Voltage:	220V-240V