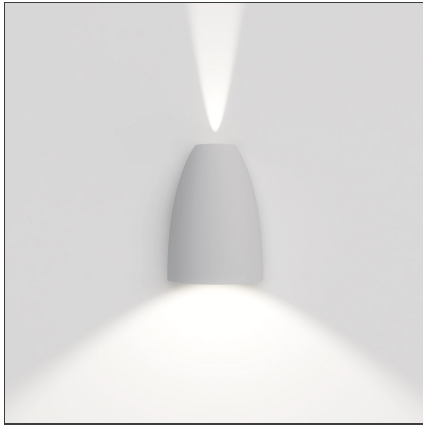


Molla Gray/white



IP65   

DESIGN BY

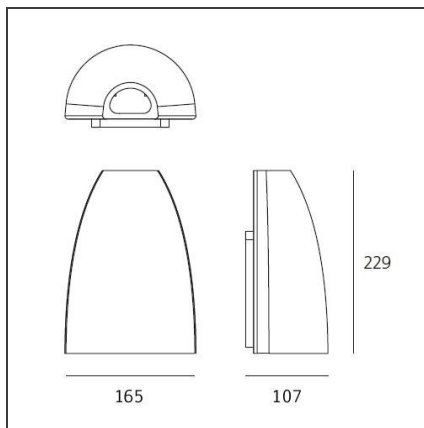
Ernesto Gismondi

DESCRIPTION

Light fixture with 2 combined light beams: the large one with lighting function and the narrow one with decorative function. Wall installation: the fixture can be installed with the main beam pointed either downwards or upwards according to the kind of lighting desired (direct or indirect).

Materials: projector composed by a body in reinforced polymer and PMMA lenses, cap and terminal board in die-cast EN AB-47100 aluminium, tempered and silkscreened light-diffusing glasses with thickness of 4 mm.

TECHNICAL DRAWINGS



FEATURES

Article Code:	T4190NLW00	Material:	Aluminum, composite
Colour:	Gray/white		technopolymer,
Installation:	Wall		methacrylate, silk
Environment:	Outdoor		screened glass
		Series:	Outdoor
		Area contract:	Residential

DIMENSIONS

Length:	cm 16.3
Width:	cm 10.6
Height:	cm 22.9

INCLUDED SOURCES

Category:	LED	Color temperature (K):	3000K
Number:	1	CRI:	80 typ
Watt:	3W		
Delivered lumens output (lm):	55lm		
Type:	0		
Class:	A		
Category:	LED	Color temperature (K):	3000K
Number:	1	CRI:	82
Watt:	10W		
Delivered lumens output (lm):	350lm		
Type:	0		
Class:	A		

LUMINAIRE

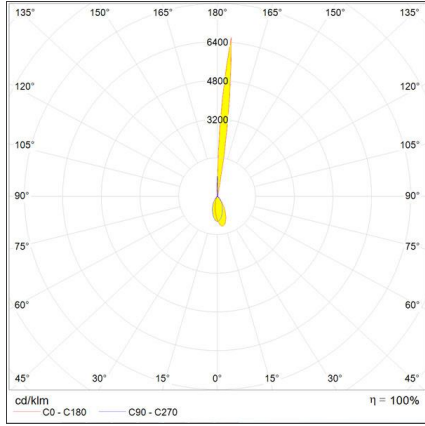
Power Supply:	Electronic Integrated	Delivered lumens output (lm):	407lm
Watt:	14W	CCT:	3000K
Voltage:	220V-240V	CRI:	80

Notes

The large beam is obtained by the combination of a monochromatic LED light source with a reflector. The narrow beam is obtained by the combination of a monochromatic LED light source with a high-performance projector.

Effective power 14,3W.

LIGHT DISTRIBUTION



We reserve the right to change our product specifications.
Please visit www.artemide.com for the latest product information

March 2019