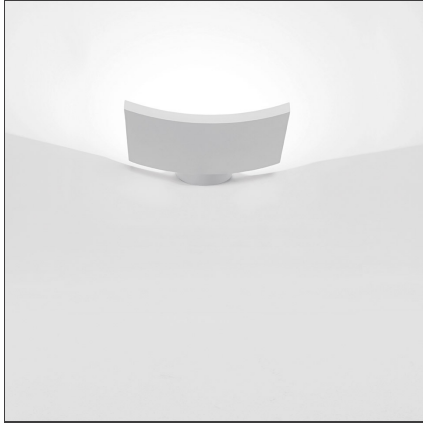


## Microsurf White



IP20   

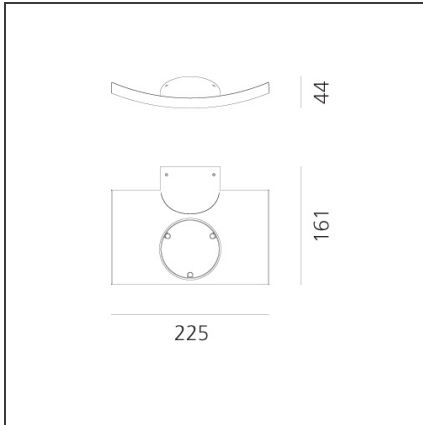
### DESIGN BY

Neil Poulton

### DESCRIPTION

A minimal, almost unobtrusive design to be integrated into any architectural setting. Materials: die-cast painted aluminium.

### TECHNICAL DRAWINGS



### FEATURES

<b>Article Code:</b>	1646010A	<b>Material:</b>	Aluminium
<b>Colour:</b>	White	<b>Series:</b>	Design
<b>Installation:</b>	Wall	<b>Emission:</b>	Indirect
<b>Environment:</b>	Indoor		

### DIMENSIONS

<b>Length:</b>	cm 20	<b>Glow Wire Test:</b>	850
<b>Width:</b>	cm 15		
<b>Height:</b>	cm 4		

### INCLUDED SOURCES

<b>Category:</b>	LED	<b>Color temperature (K):</b>	3000K
<b>Number:</b>	1		
<b>Watt:</b>	20W		
<b>Type:</b>	0		
<b>Class:</b>	A		

### LUMINAIRE

<b>Watt:</b>	20W	<b>Delivered lumens output (lm):</b>	1942lm
<b>Voltage:</b>	220 - 240 V	<b>CCT:</b>	3000K
		<b>Efficiency:</b>	97%
		<b>Efficacy:</b>	114lm/W
		<b>CRI:</b>	80