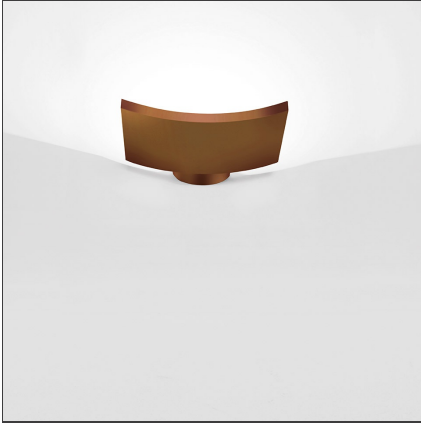


Microsurf Bronze



IP20   

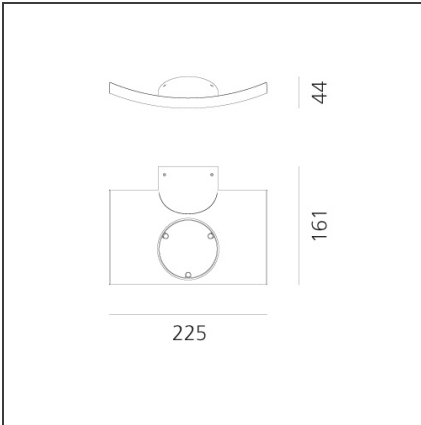
DESIGN BY

Neil Poulton

DESCRIPTION

A minimal, almost unobtrusive design to be integrated into any architectural setting. Materials: die-cast painted aluminium.

TECHNICAL DRAWINGS



FEATURES

Article Code:	1646040A	Material:	Aluminium
Colour:	Bronze	Series:	Design
Installation:	Wall	Emission:	Indirect
Environment:	Indoor		

DIMENSIONS

Length:	cm 20	Glow Wire Test:	850
Width:	cm 15		
Height:	cm 4		

INCLUDED SOURCES

Category:	LED	Color temperature (K):	3000K
Number:	1		
Watt:	20W		
Type:	0		
Class:	A		

LUMINAIRE

Watt:	20W	Delivered lumens output (lm):	1942lm
Voltage:	221 - 240 V	CCT:	3000K
		Efficiency:	97%
		Efficacy:	114lm/W
		CRI:	80