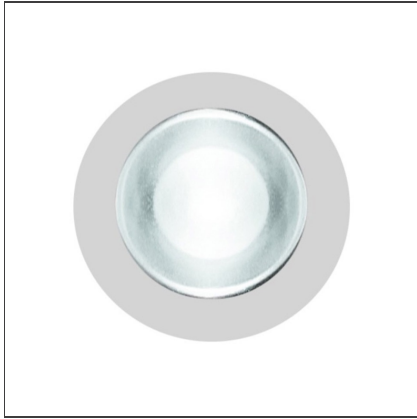


Microled Flangia



IP65/67  

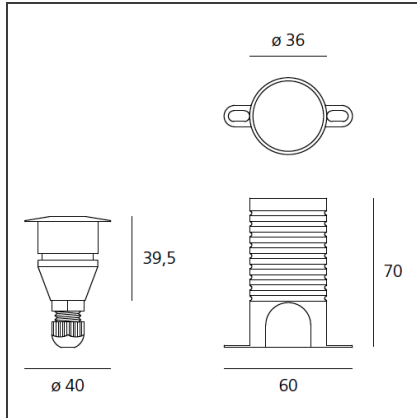
DESIGN BY

Studio Artemide

DESCRIPTION

Light fixture with LED light sources. Floor installation. Consist of diffuser, body, ring, housing. Diffuser in glass, 3mm-thick. Body in technopolymer, with or without frame. Ring in stainless steel AISI 316L. Housing in plastic material (available separately). Remote driver. Electrical connection to the ballast by means of a two-pole H05RN-F cable and appropriate IP68 terminal board. White monochromatic LEDs available in 2 colour temperatures: Warm = 3000K Neutral = 4000K IP67 protection rating. Insulation class III. Technical features of light fixtures in compliance with EN60598-1. Installation must be carried out by specialized personnel. Carefully follow the instructions.

TECHNICAL DRAWINGS



FEATURES

| | | | |
|----------------------|-------------|------------------|-------------------------------|
| Article Code: | NL42037VSK0 | Material: | Black |
| Installation: | Recessed | Series: | PVC, Polycarbonate. Scenarios |
| Environment: | Outdoor | | |

DIMENSIONS

| | | | |
|------------------------|--------|-------------------------|---------|
| Weight: | kg 0.2 | Cutout diameter: | cm 3.6 |
| Base Diameter: | cm 4 | Cutout shape: | Rounded |
| Recessed depth: | cm 7 | | |

INCLUDED SOURCES

| | | | |
|--------------------------------------|-------|-------------------------------|-------|
| Category: | LED | Color temperature (K): | 3000K |
| Number: | 1 | Voltage: | 12Vdc |
| Watt: | 0,5W | | |
| Delivered lumens output (lm): | 6,9lm | | |
| Type: | 0 | | |
| Class: | A | | |

LUMINAIRE

| | | | |
|----------------------|------------|--------------------------------------|-------|
| Power Supply: | Electronic | Delivered lumens output (lm): | 6,9lm |
| Watt: | 0,5W | CCT: | 3000K |
| Voltage: | 12V | CRI: | 75 |

ACCESSORIES

NO
IMAGE
AVAILABLE

ALIMENT. 12W
12Vdc IP67
NL19027

NO
IMAGE
AVAILABLE

ALIMENT. 40W
12Vdc IP67
NL6203

NO
IMAGE
AVAILABLE

Cassaforma
microled
NL42040H0