


Meteorite 15 Table Stem (G9)



IP20 

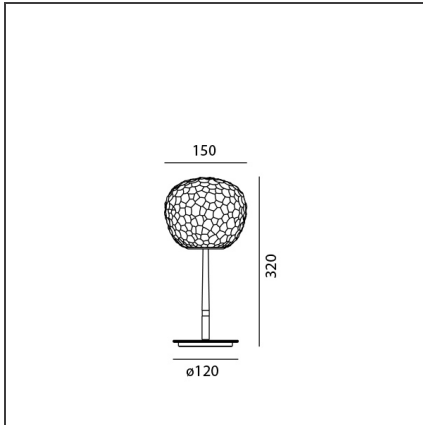
DESIGN BY

Pio & Tito Toso

DESCRIPTION

A family of lamps available in five different versions: table, table with stem, floor, wall/ceiling and suspension. Materials: blown glass diffuser; lamp body in technopolymer. Meteorite Stem Table 15 and 35 feature respectively a chromed aluminium and a steel stem. Specification: the diffuser is made of a double layer of artistic glass, obtained through a 'stampo a fermo' mould-blowing technique and then grinding.

TECHNICAL DRAWINGS



FEATURES

Article Code:	1709010A	Material:	blown glass, technopolymer, aluminum, steel
Colour:	white	Series:	Design
Installation:	Table		

DIMENSIONS

Height:	cm 32	Glow Wire Test:	N/D
Base Diameter:	cm 12		

NOT INCLUDED SOURCES

Category:	HALO	Class:	A
Number:	1		
Watt:	48W		
Socket:	G9		

ALTERNATIVE SOURCES

Category:	LED
Number:	1
Watt:	2,3W
Delivered lumens output (lm):	200lm
Type:	2
Socket:	G9
Class:	A

LUMINAIRE

Watt:	48W	Delivered lumens output (lm):	740lm
Voltage:	220V - 240V	CCT:	2700K
		Efficiency:	73%
		Efficacy:	16lm/W