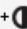


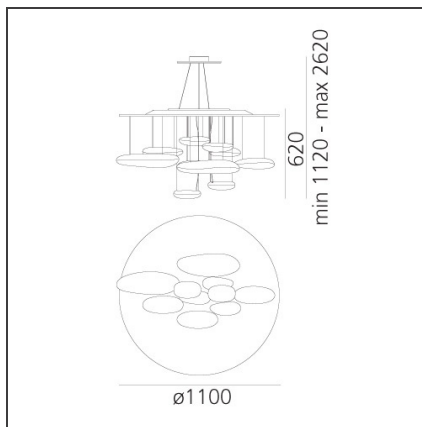
# Mercury Suspension LED 3000K



IP20      

Dimmerable: +  -

## TECHNICAL DRAWINGS



## DESIGN BY

Ross Lovegrove

## DESCRIPTION

A ceiling fixture that places a floating assembly of large pebbles below a simple modern aluminium disc. These in turn reflect each other bouncing light between their taugth bio - morphic surfaces and reflecting the environment around them. During the day the piece acts as a sculptural object reflecting the dynamics of natural light and the movement of people around them. Die-cast aluminium lighting units; reflective units made of injection-moulded thermoplastic material with metallic finish; stainless steel reflector. Dimmable (SwitchDim).

## FEATURES

<b>Article Code:</b>	1367110A	<b>Material:</b>	Aluminium, ABS, steel
<b>Colour:</b>	Polished chrome	<b>Series:</b>	Design, Hydro, Scenarios
<b>Installation:</b>	Ceiling, Suspension	<b>Area contract:</b>	Hospitality, Office, Residential
<b>Environment:</b>	Indoor	<b>Emission:</b>	Indirect

## DIMENSIONS

<b>Height:</b>	cm 60	<b>Glow Wire Test:</b>	650
<b>Max Height from ceiling:</b>	cm 200		

## INCLUDED SOURCES

<b>Category:</b>	LED	<b>Color temperature (K):</b>	3000K
<b>Number:</b>	2	<b>Color Tolerance:</b>	MacAdam 2SDCM
<b>Watt:</b>	23.62W	<b>CRI:</b>	90
<b>Delivered lumens output (lm):</b>	2840lm	<b>Efficacy:</b>	120lm/W
<b>Type:</b>	0	<b>Service Life:</b>	50000-L70

## LUMINAIRE

<b>Watt:</b>	58W	<b>Delivered lumens output (lm):</b>	3094lm
<b>Voltage:</b>	220V-240V	<b>CCT:</b>	3000K
		<b>Efficiency:</b>	54%
		<b>Efficacy:</b>	53.34lm/W
		<b>CRI:</b>	90
		<b>Dimmable Typology:</b>	Push

## Notes

Its modular shape lends itself to the creation and realisation of customized compositions, supplied as special project.