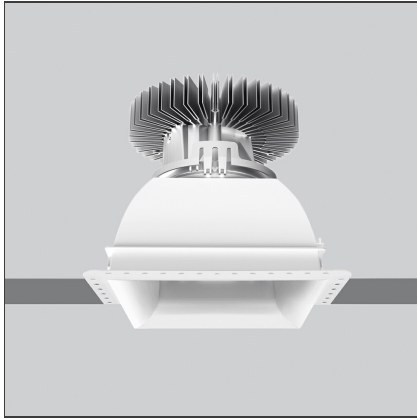


# Luceri LED Kadro Trimless - Comfort White Optics 3000K - Driver 50W DALI



IP20/44 without screen - 20/54 with screen

Dimmerable: + -

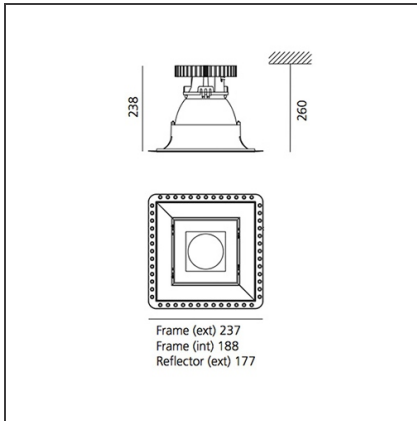
## DESIGN BY

Studio Artemide

## DESCRIPTION

Luceri LED and Kadro LED offer a modular range of professional downlighters, highly flexible, providing customisable lighting solutions for every need. Thanks to TrueWhite technology, colour temperature and colour rendering index are maintained constant throughout the lifespan of this product, guaranteeing a consistent light quality. The emission of versions with metal reflector is compliant with EN12464 and has UGR<19, producing an effective and comfortable lighting solution.

## TECHNICAL DRAWINGS



## FEATURES

<b>Article Code:</b>	BB10300 DV1016	<b>Material:</b>	Bezel, white reflector and screens in polycarbonate, reflectors in vacuum-metalled polycarbonate with anti-scratch surface treatment.
<b>Installation:</b>	Recessed, Ceiling	<b>Series:</b>	Indoor
<b>Environment:</b>	Indoor	<b>Area contract:</b>	Hospitality, null, Office

## DIMENSIONS

<b>Length:</b>	cm 23.7	<b>Cutout Width:</b>	cm 27.5
<b>Width:</b>	cm 23.8	<b>Cutout length:</b>	cm 27.5
<b>Height:</b>	cm 23.8	<b>Cutout shape:</b>	Squared
<b>Weight:</b>	kg 1.7		

## INCLUDED SOURCES

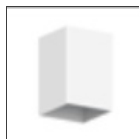
<b>Category:</b>	LED	<b>Color temperature (K):</b>	3000K
<b>Number:</b>	1	<b>CRI:</b>	90
<b>Watt:</b>	max 54W		
<b>Type:</b>	0		

## LUMINAIRE

<b>Transformer availability:</b>	50W	<b>Delivered lumens output (lm):</b>	3969lm
<b>Watt:</b>	54W	<b>CCT:</b>	3000K
		<b>Efficiency:</b>	73%
		<b>Efficacy:</b>	73.51lm/W
		<b>CRI:</b>	90
		<b>Dimmable Typology:</b>	Dali

## Notes

Driver 220/240Vac 50/60Hz supplied separately. To be completed with recessed frame.

**ACCESSORIES**

Accessory for ceiling installation  
M239920



Prismatic screen in polycarbonate  
M239500



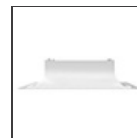
Opal screen in PMMA  
M239400



Transparent screen in polycarbonate  
M239300



Sharp edge trim  
M240700



Support with rounded edge trim  
M240800