

LoT - Suspension track



IP20  

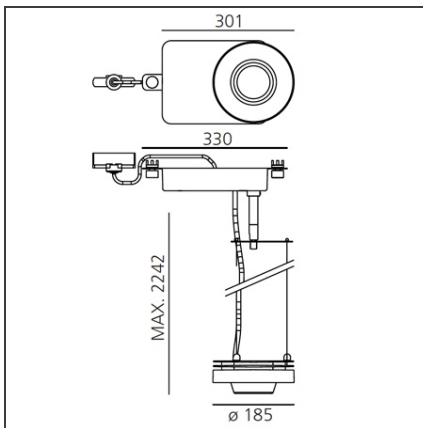
DESIGN BY

Tapio Rosenius

DESCRIPTION

Light over Time (LoT) is a series of lighting tools allowing design professionals to reimagine, reveal, reinterpret and to modulate space like never before. A family of luminaires with intuitive software lets light to shift, change and flow like in nature. Precision optics is used to achieve white light dynamic beam distribution from 8 degrees to 60 in single luminaire with simple data commands and without any moving parts. An RGBW quad chip LED's provide soft colour washes with subtle tonalities creating background for the adjustable beam of white light. User-friendly software gives unprecedented access to previously unattainable complexity of light behaviour. No prior programming skills or manuals are needed. Layered, non-repetitive and natural light effects are achieved with unique real-time content engines using biomimicry and other algorithms to calculate light patterns and effects instantaneously. Changes and modifications to the wash light tonality, beam intensity, movement directions, speed, complexity and many other parameters can be made simultaneously, previewed live and saved as intelligent pre-sets. Comprehensive scheduling with drag-and-drop interface is provided with a suite of options for over-rides such as push buttons and sensors. LoT Spots are available as ceiling recessed adjustable downlight, surface mounted spotlight for interior and exterior applications, track mounted spotlight, suspended adjustable pendant and exterior inground uplight. LoT Series is a new generation toolset for creative lighting. Patent Pending N° 102016000026002

TECHNICAL DRAWINGS



FEATURES

Article Code:	AA50001	Material:	Aluminum heat sink and structure. Plastic cover
Colour:	White		
Installation:	Track, Suspension		
Environment:	Indoor	Series:	Indoor

DIMENSIONS

Width:	cm 30.1
Weight:	kg 6
Base Width:	cm 24
Inclination:	-90+90
Rotation:	cm 360
Max Height from ceiling:	cm 224

INCLUDED SOURCES

Category:	LED	Color temperature (K):	3000 K
Number:	1		
Watt:	24 W		
Type:	3		
Class:	A		
Category:	LED	Color temperature (K):	2700 K
Number:	1		
Watt:	25 W		
Type:	0		
Class:	A		

LUMINAIRE

Watt:	max peak power 80W - max continuous power 60W	Delivered lumens output (lm):	1100lm/3800lm
		CCT:	2700K
		CRI:	90