

# Logico table Silk gloss/Aluminum gray



IP20     

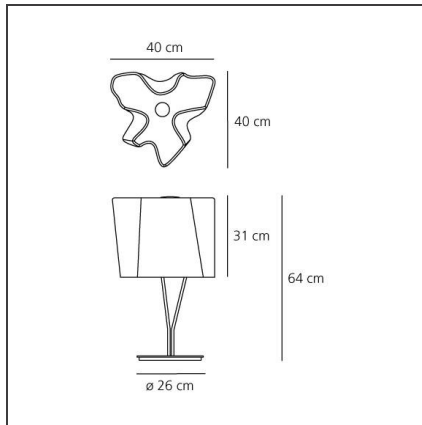
## DESIGN BY

Gerhard Reichert, Michele De Lucchi

## DESCRIPTION

Materials: Chromed zinc-alloy base, chrome-plated steel structure; blown glass diffuser with polished-silk finish. Three layers blown glass (crystal + silk + crystal) in a mold which is upside down to assure structural consistence to glass. Logico tavolo and Logico tavolo mini have a touch dimmer to adjust the light intensity.

## TECHNICAL DRAWINGS



## FEATURES

<b>Article Code:</b>	0457020A	<b>Material:</b>	blown glass, steel, zamak
<b>Colour:</b>	Silk gloss / Aluminum gray	<b>Series:</b>	Design
<b>Installation:</b>	Table	<b>Area contract:</b>	Hospitality, Office
<b>Environment:</b>	Indoor	<b>Emission:</b>	Diffused And Direct

## DIMENSIONS

<b>Length:</b>	cm 40	<b>Impact Resistance:</b>	N/D
<b>Width:</b>	cm 40	<b>Glow Wire Test:</b>	N/D
<b>Height:</b>	cm 64		
<b>Base Diameter:</b>	cm 26		

## NOT INCLUDED SOURCES

<b>Category:</b>	HALO	<b>Color Rendering:</b>	1a
<b>Number:</b>	3		
<b>Watt:</b>	46W		
<b>Lbs:</b>	Qt32		
<b>Socket:</b>	E27		
<b>Duration (h):</b>	2000h		

## ALTERNATIVE SOURCES

<b>Category:</b>	LED
<b>Number:</b>	3
<b>Watt:</b>	9W
<b>Delivered lumens output (lm):</b>	806lm
<b>Type:</b>	2
<b>Socket:</b>	E27
<b>Class:</b>	A

## LUMINAIRE

<b>Watt:</b>	138W	<b>Delivered lumens output (lm):</b>	1890lm
<b>Voltage:</b>	220V-240V	<b>CCT:</b>	2800K