

## Jet recessed with switch 10°



IP40

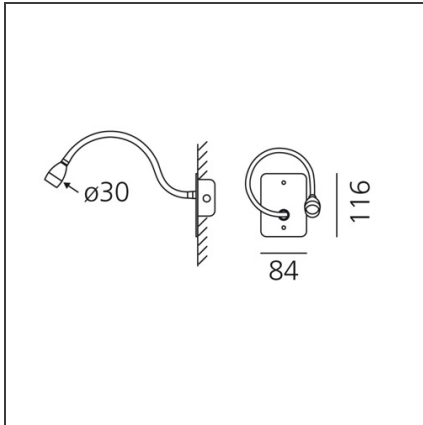
### DESIGN BY

Studio Artemide

### DESCRIPTION

Light fixture with high-performance LED light sources. Materials: Spot head in lathed aluminium, flexible arm in harmonic iron, PMMA lens, base plate in galvanized metal. Specification: Integrated driver.

### TECHNICAL DRAWINGS



### FEATURES

<b>Article Code:</b>	- - -	<b>Material:</b>	Aluminum, steel, methacrylate
<b>Colour:</b>	Aluminum	<b>Series:</b>	Scenarios
<b>Installation:</b>	Recessed, Wall		

### DIMENSIONS

<b>Length:</b>	cm 4.1	<b>Cutout shape:</b>	Rectangular
<b>Width:</b>	cm 5		
<b>Height:</b>	cm 15.2		

### INCLUDED SOURCES

<b>Category:</b>	LED	<b>Color temperature (K):</b>	3000K
<b>Number:</b>	1	<b>LED current:</b>	350 mA
<b>Watt:</b>	1W		
<b>Wattage (Single):</b>	1W		
<b>Type:</b>	0		

### LUMINAIRE

<b>Watt:</b>	2W	<b>Delivered lumens output (lm):</b>	68lm
		<b>CCT:</b>	3000K
		<b>Efficiency:</b>	86%
		<b>Efficacy:</b>	33.95lm/W
		<b>CRI:</b>	80