

Jet base with switch 10°



IP40 

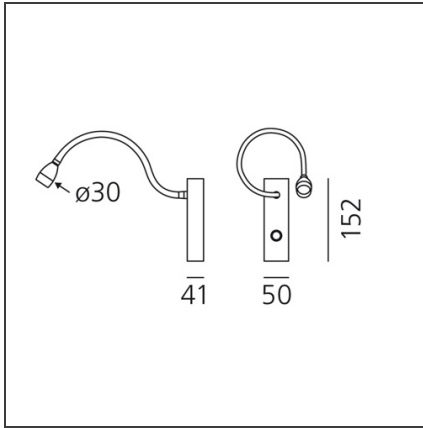
DESIGN BY

Studio Artemide

DESCRIPTION

Light fixture with high-performance LED light sources. Materials: Spot head in lathed aluminium, flexible arm in harmonic iron, PMMA lens, base plate in galvanized metal. Specification: Integrated driver.

TECHNICAL DRAWINGS



FEATURES

Article Code:	- - -	Material:	Aluminum, steel, methacrylate
Colour:	Aluminum	Series:	Scenarios
Installation:	Recessed, Wall		

DIMENSIONS

Length:	cm 4.1
Width:	cm 5
Height:	cm 15.2

INCLUDED SOURCES

Category:	LED	Color temperature (K):	3000K
Number:	1	LED current:	350 mA
Watt:	1W		
Wattage (Single):	1W		
Type:	0		

LUMINAIRE

Watt:	2W	Delivered lumens output (lm):	68lm
		CCT:	3000K
		Efficiency:	86%
		Efficacy:	33.95lm/W
		CRI:	80