

JavaLED_3x26W_34°_3000K_TRIMLESS



IP20  

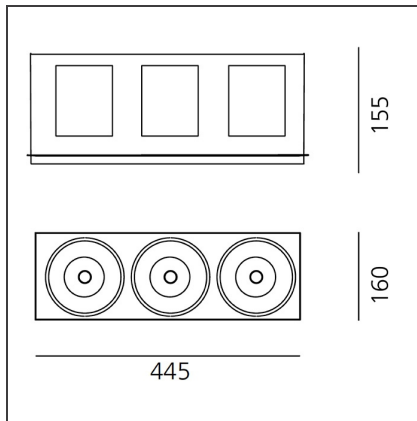
DESIGN BY

Ernesto Gismondi

DESCRIPTION

Trim or trimless adjustable downlights using LED. 3 models: square with 1 lamp, rectangular with 2, 3 and 4 lamps. Each spotlight may be adjusted individually with a tilt angle ranging from -20° to +70°, and rotation of up to 355°.

TECHNICAL DRAWINGS



FEATURES

Article Code:	M2881W01	Material:	Acciaio
Colour:	White	Series:	Indoor
Installation:	Recessed		

DIMENSIONS

Length:	cm 44.5	Cutout Width:	cm 16
Width:	cm 16	Cutout length:	cm 45
Height:	cm 15.5	Cutout shape:	Rectangular
Recessed depth:	cm 15.5	Glow Wire Test:	960

INCLUDED SOURCES

Category:	LED	Color temperature (K):	3000K
Number:	3	Color Tolerance:	MacAdam 3SDCM
Watt:	26W	CRI:	=80(min.)
Delivered lumens output (lm):	2303 lm	Efficacy:	90lm/W
Type:	0	Service Life:	L70(6K)>50000h

LUMINAIRE

Power Supply:	Electronic remote	Delivered lumens output (lm):	6103lm
Watt:	78.0W	CCT:	3000K
		Efficiency:	100%
		Efficacy:	78.24lm/W

Notes

Independent power supply to be ordered separately.

ACCESSORIES

NO
IMAGE
AVAILABLE

Driver cc 32W
700mA DALI
dimmable
M079200

NO
IMAGE
AVAILABLE

DRIVER cc 32W
700mA 220-240
103 67 21 1max 1-
10V, push
M079300

NO
IMAGE
AVAILABLE

Drive cc max 32W
700mA 220-
240Vac - on/off -
103x67x21mm
(LxWxH)
M079201