

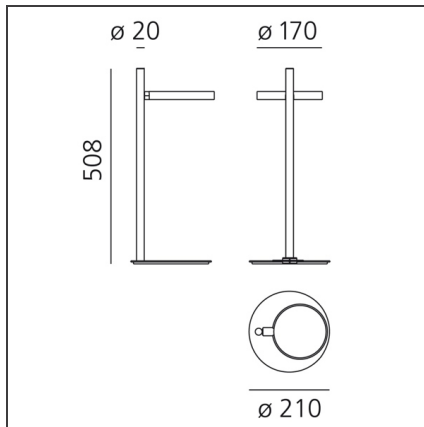
Ipparco



IP20

Dimmerable: + -

TECHNICAL DRAWINGS



DESIGN BY

Neil Poulton

DESCRIPTION

Materials: head lamp in painted die-cast aluminium; diffuser in thermoplastic material; painted steel base and stem. Specification: the magnet joint enables the user to position the head-ring on any point of the structure and to adjust it up to 360° both on the vertical and the horizontal axis, allowing the maximum flexibility in directing the light.

FEATURES

<b>Article Code:</b>	1607010A	<b>Material:</b>	Aluminium, methacrylate, steel
<b>Colour:</b>	Black	<b>Series:</b>	Design
<b>Installation:</b>	Table	<b>Emission:</b>	Adjustable

DIMENSIONS

<b>Height:</b>	cm 51	<b>Impact Resistance:</b>	N/D
<b>Base Diameter:</b>	cm 21	<b>Glow Wire Test:</b>	650

INCLUDED SOURCES

<b>Category:</b>	LED	<b>Color temperature (K):</b>	3000 K
<b>Number:</b>	1		
<b>Watt:</b>	7,8 W		
<b>Delivered lumens output (lm):</b>	453 lm		
<b>Type:</b>	0		
<b>Class:</b>	A		

LUMINAIRE

<b>Watt:</b>	8,5W	<b>Delivered lumens output (lm):</b>	453lm
		<b>CCT:</b>	3000K
		<b>Efficiency:</b>	100%
		<b>Efficacy:</b>	53lm/W
		<b>CRI:</b>	80
		<b>Dimmer Typology:</b>	Microswitch Dimmer