

Incipit Ceiling 144° - White



IP20  Dimmerable: 

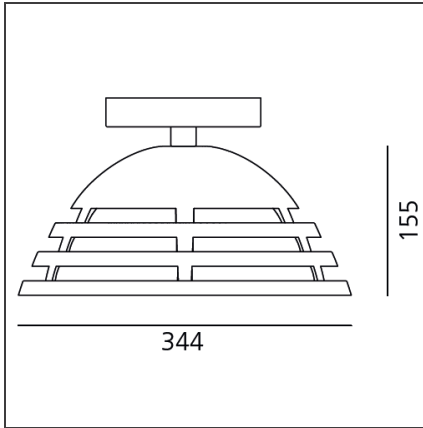
DESIGN BY

Carlotta de Bevilacqua

DESCRIPTION

An aluminium body, featuring alternating vertical and horizontal elements, accommodates the LED. The horizontal bands work as optical sectors, appropriately calibrated vs. each other. The intertwined vertical and horizontal elements are the result of accurate optical and technological feasibility research for die casting production. They also promote air circulation when the appliance is arranged both vertically and horizontally, and allow natural ventilation by convection in all possible usage configurations. Calibration of this structure, in both the small and large version, results in optimal optical darklighting and downlighting performance, thus ensuring high visual comfort. A small-sized mixing chamber ensures the controlled direct emission of light rays. The optical performance of its mechanical surfaces is a direct result of the production process, which includes the optional finishing of surfaces either with subsequent processing finish or with white paint. The white version, with wide-aperture beams, is suited for soft downlighting. The diffusing power of the white surfaces ensures minimal leakage of light emission from within the mesh to give a luminous footprint to the body.

TECHNICAL DRAWINGS



FEATURES

Article Code:	M3082W20	Series:	Indoor
Colour:	White		
Installation:	Suspension, Ceiling		

DIMENSIONS

Height:	cm 15,5
Weight:	kg 3,5

INCLUDED SOURCES

Category:	LED	Color temperature (K):	3000K
Number:	1	Color Tolerance:	MacAdam 2SDCM
Watt:	44W	CRI:	90
Type:	0	Service Life:	L70 (6K) 50000h
Class:	A		

LUMINAIRE

Watt:	44W	Delivered lumens output (lm):	3217lm
		CCT:	3000K
		Efficiency:	78%
		Efficacy:	63.28lm/W
		CRI:	95