

# Hila Floor 90 Gray/white



IP65  

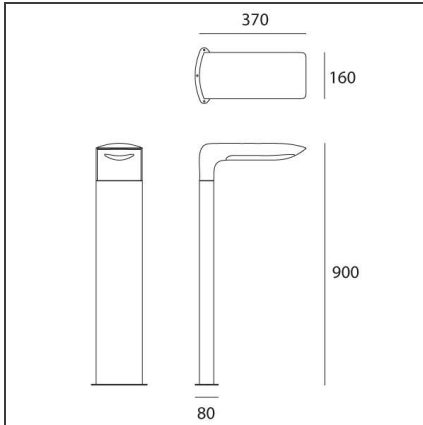
## DESIGN BY

Carlo Colombo

## DESCRIPTION

Composed by lamp, support pole and ground mounting plate.  
Lamp unit in die-cast EN-AB 47100 aluminium.  
UV resistant diffuser in shock resistant polycarbonate with satiny finish.  
Support pole h=90cm in extruded EN-AW-6060 aluminium, chromate treated and painted. Mounting plate in painted steel.

## TECHNICAL DRAWINGS



## FEATURES

<b>Article Code:</b>	T085710	<b>Material:</b>	Aluminum, polycarbonate
<b>Colour:</b>	Gray/white	<b>Series:</b>	Scenarios
<b>Installation:</b>	Bollard, Pole, Floor, Wall	<b>Emission:</b>	Direct
<b>Environment:</b>	Outdoor		

## DIMENSIONS

<b>Length:</b>	cm 37	<b>Impact Resistance:</b>	IK10
<b>Width:</b>	cm 16	<b>Glow Wire Test:</b>	650
<b>Height:</b>	cm 90		

## INCLUDED SOURCES

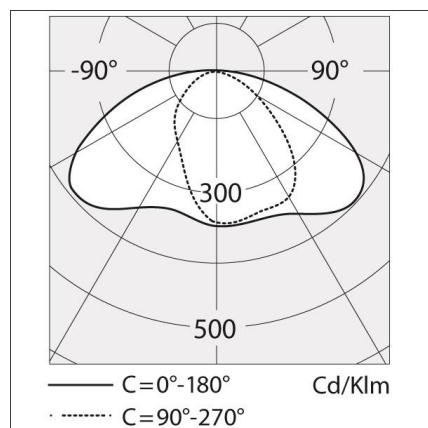
<b>Category:</b>	LED	<b>Color temperature (K):</b>	3000K
<b>Number:</b>	1	<b>CRI:</b>	80
<b>Watt:</b>	12W		
<b>Type:</b>	0		
<b>Class:</b>	A		

## LUMINAIRE

<b>Watt:</b>	12W	<b>Delivered lumens output (lm):</b>	841lm
<b>Voltage:</b>	220V-240V	<b>CCT:</b>	3000K
		<b>CRI:</b>	80

## Notes

Effective power 13W.

**LIGHT DISTRIBUTION**

We reserve the right to change our product specifications.  
Please visit [www.artemide.com](http://www.artemide.com) for the latest product information

March 2019