

Hila Floor 90 Anthracite gray



IP65  

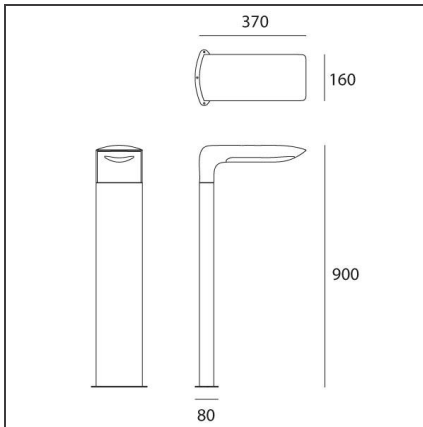
DESIGN BY

Carlo Colombo

DESCRIPTION

Composed by lamp, support pole and ground mounting plate.
Lamp unit in die-cast EN-AB 47100 aluminium.
UV resistant diffuser in shock resistant polycarbonate with satiny finish.
Support pole h=90cm in extruded EN-AW-6060 aluminium, chromate treated and painted. Mounting plate in painted steel.

TECHNICAL DRAWINGS



FEATURES

| | | | |
|----------------------|----------------------------|------------------|-------------------------|
| Article Code: | T085730 | Material: | Aluminum, polycarbonate |
| Colour: | Anthracite gray | Series: | Scenarios |
| Installation: | Bollard, Pole, Floor, Wall | Emission: | Direct |
| Environment: | Outdoor | | |

DIMENSIONS

| | | | |
|----------------|-------|---------------------------|------|
| Length: | cm 37 | Impact Resistance: | IK10 |
| Width: | cm 16 | Glow Wire Test: | 650 |
| Height: | cm 90 | | |

INCLUDED SOURCES

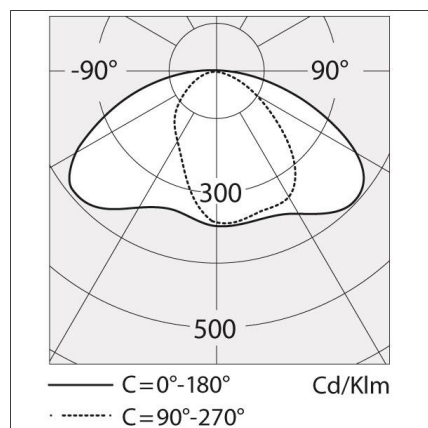
| | | | |
|------------------|-----|-------------------------------|-------|
| Category: | LED | Color temperature (K): | 3000K |
| Number: | 1 | CRI: | 80 |
| Watt: | 12W | | |
| Type: | 0 | | |
| Class: | A | | |

LUMINAIRE

| | | | |
|-----------------|-----------|--------------------------------------|-------|
| Watt: | 12W | Delivered lumens output (lm): | 841lm |
| Voltage: | 220V-240V | CCT: | 3000K |
| | | CRI: | 80 |

Notes

Effective power 13W.

LIGHT DISTRIBUTION

We reserve the right to change our product specifications.
Please visit www.artemide.com for the latest product information

March 2019