

Fiamma Suspension - Black



IP20  Dimmerable: 

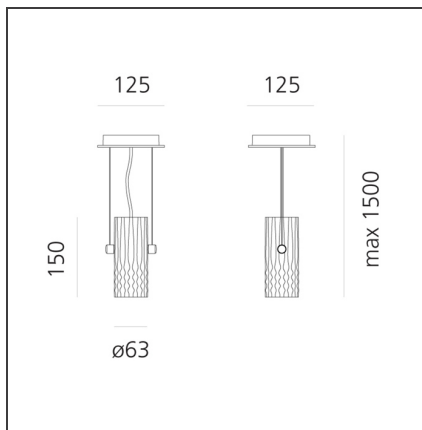
DESIGN BY

Wilmotte & Industries

DESCRIPTION

“Modular and adjustable, Fiamma works with a LED source base and a set of accessories to meet the different needs of lighting in hotels: bedside lamp, floor lamp, wall lamp, suspension light. The look is willing to be « domestic », to feel like being at home, in order to reinforce the cosiness of the object.” Fiamma is a systemic lighting element designed to respond to the needs of the contract sector, yet well suited also for everyday living environments. An anodized aluminium cylinder with a specific texture – a perfect combination of look and functionality – is the true luminous engine of the system. The light emitted by the LED source is cleverly controlled by a transparent diffuser, designed with an anti-reflex texture, to ensure visual comfort in all usage conditions. Different supports can be assembled on it, all made of carefully processed aluminium, to obtain a variety of versions – suspension, ceiling, reading, table.

TECHNICAL DRAWINGS



FEATURES

Article Code:	- - -	Material:	Aluminium
Colour:	Black	Series:	Scenarios
Installation:	Suspension		

DIMENSIONS

Height:	cm 15	Cutout shape:	Squared
Base Length:	cm 12.5		
Base Width:	cm 12.5		
Max Height from ceiling:	cm 150		

SOURCES NOT INCLUDED

Category:	LED	Voltage:	230V
Number:	1		
Watt:	8W		
Type:	2		
Socket:	GU10		
Class:	A		

LUMINAIRE

Watt:	8W	Delivered lumens output (lm):	390lm
		Efficiency:	95%