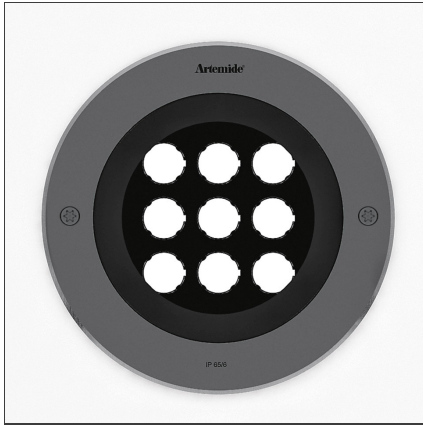


# Ego 220 downlight Round 5° 3000K Inox IK10



IP 65/67

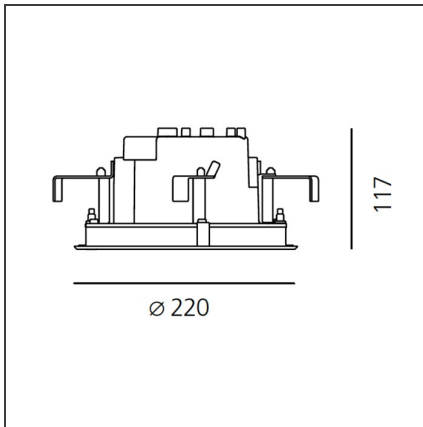
## DESIGN BY

Studio Artemide

## DESCRIPTION

Light fixture with high-performance LED light sources. Ceiling installation. Two different housing depths. Round and square version in five sizes. Consists of body, frame, black silkscreened tempered glass, fixing springs. Body in EN AB44100 aluminium, silicone gaskets. Frame in aluminium or stainless steel AISI 316. Black silkscreened tempered glass, 8mm-thick. Fixing springs in harmonic iron. Power connection to the mains by means of a H05RN-r cabl and IP68 electrical terminal board, supplied with the fixture. Glass surface temperature lower than 40°C. Fixed or adjustable optics. PMMA lenses in 3 different versions of beams. White monochromatic LEDs available in 2 colour temperatures Warm = 3000K Neutral = 4000K Painted die-cast aluminium with 3-stage outdoortreatment: nanotechnologies, anti-oxidant primer, polyester paint. Technical features of light fixtures in compliance with EN60598-1 and part 2-13. IP Rating IP65. Insulation class III. Installation must be carried out by specialized personnel. Carefully follow the instructions.

## TECHNICAL DRAWINGS



## FEATURES

|                      |             |                |         |
|----------------------|-------------|----------------|---------|
| <b>Article Code:</b> | T4086NSPW00 | <b>Series:</b> | Outdoor |
| <b>Installation:</b> | Recessed    |                |         |

## DIMENSIONS

|                        |         |                           |         |
|------------------------|---------|---------------------------|---------|
| <b>Recessed depth:</b> | cm 11.7 | <b>Cutout shape:</b>      | Rounded |
|                        |         | <b>Impact Resistance:</b> | IK10    |

## INCLUDED SOURCES

|                                      |       |                               |                   |
|--------------------------------------|-------|-------------------------------|-------------------|
| <b>Category:</b>                     | LED   | <b>Color temperature (K):</b> | 3000K             |
| <b>Number:</b>                       | 1     | <b>Color Tolerance:</b>       | MacAdam 4SDCM     |
| <b>Watt:</b>                         | 16W   | <b>CRI:</b>                   | 80                |
| <b>Wattage (Single):</b>             | 1,77W | <b>Efficacy:</b>              | 63lm/W            |
| <b>Delivered lumens output (lm):</b> | 884lm | <b>Service Life:</b>          | L70(10K) > 60500h |
| <b>Type:</b>                         | 0     |                               |                   |
| <b>Class:</b>                        | A     |                               |                   |

## LUMINAIRE

|                      |                                  |                                      |           |
|----------------------|----------------------------------|--------------------------------------|-----------|
| <b>Power Supply:</b> | electronic power supply included | <b>Delivered lumens output (lm):</b> | 787lm     |
| <b>Watt:</b>         | 17W                              | <b>CCT:</b>                          | 3000K     |
|                      |                                  | <b>Efficiency:</b>                   | 100%      |
|                      |                                  | <b>Efficacy:</b>                     | 46.29lm/W |
|                      |                                  | <b>CRI:</b>                          | 80        |

## Notes

Flood opticWide luminous flow suitable for lighting large areas.