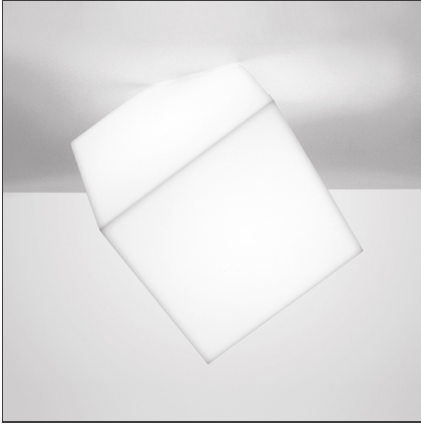
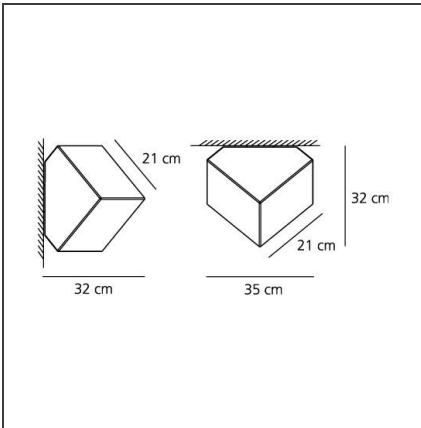


Edge 21 - Wall/Ceiling



IP65    Dimmerable: 

TECHNICAL DRAWINGS



DESIGN BY

Alessandro Mendini

DESCRIPTION

Wall support in thermoplastic resin; diffuser in thermoplastic material. Ability to mount LED light source E27 (LED light source not included).

FEATURES

Article Code:	1292010A	Material:	Technopolymer
Colour:	White	Series:	Design
Installation:	Wall, Ceiling	Area contract:	Hospitality
Environment:	Indoor	Emission:	Diffused

DIMENSIONS

Width:	cm 35	Impact Resistance:	N/D
Height:	cm 32	Glow Wire Test:	750°C

NOT INCLUDED SOURCES

Category:	FLUO	Color Rendering:	1b
Number:	1	Color temperature (K):	3000K
Watt:	20W		
Lbs:	Tc-tse		
Socket:	E27		

ALTERNATIVE SOURCES

Category:	LED
Number:	1
Watt:	8W
Type:	2
Socket:	E27
Class:	A

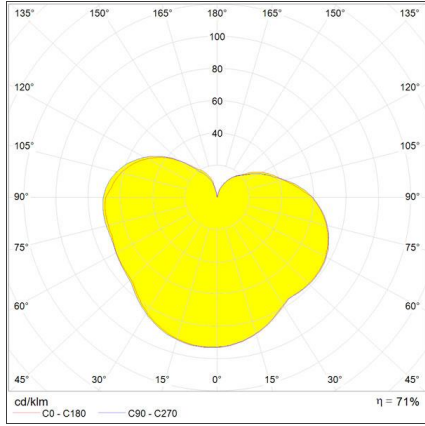
LUMINAIRE

Watt:	20W	Delivered lumens output (lm):	1200lm
Voltage:	220V-240V	CCT:	2700K

Notes

The IP 65 degree of protection makes it also suitable for outdoor application.

LIGHT DISTRIBUTION



We reserve the right to change our product specifications.
Please visit www.artemide.com for the latest product information

March 2019