

Demetra Professional Table with Movement Detector - Body White



IP20 Dimmerable:

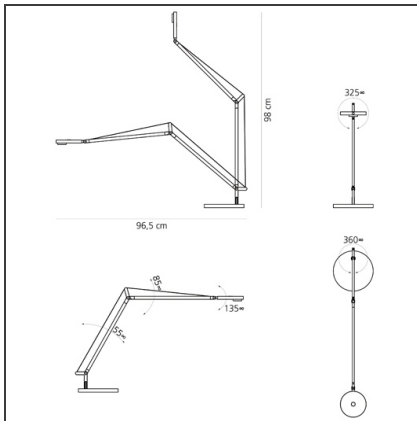
DESIGN BY

Naoto Fukasawa

DESCRIPTION

The Demetra family is expanded with two new versions to meet varying usage requirements: Demetra Micro and Demetra Professional. While flow emission varies in Demetra Professional, its size is identical to the classical version. It was designed to address the need for a task light with greater flows allowing to obtain high illuminance on the working top. With the advanced LED technology and the adoption of smart elementary solutions, maximum performance is ensured in a minimal product. Its look is the typical essential and linear one of Demetra, but its head is a more complex optical device, designed for more powerful LEDs also through painstaking study of thermal science. The aluminium bottom of the head's body works as a heatsink by taking shape and folding inside the head to accommodate the LED, however without contact and therefore without creating a heat bridge with the top. This allows maximum dissipation, and therefore the use of a high-power COB LED, without affecting its functionality deriving from operation and from direct user relation with the lamp. The top of its head can be safely touched without contact with high temperatures. Emission is controlled by a reflector that slightly protrudes from the head's profile and designs perfect illuminance on the top to create a work station with a high colour yield (Cri 90). The Demetra family becomes more complete to satisfy all the needs of different application fields with flexible and comprehensive solutions, as well as with specific and dedicated ones. Demetra MD: this table model features a Motion Detector option detecting moving objects and people and turning the light on or off accordingly.

TECHNICAL DRAWINGS



FEATURES

Article Code:	1740020A	Material:	aluminium, technopolymer, steel
Colour:	White	Series:	Design
Installation:	Table	Emission:	Direct
Environment:	Indoor		

DIMENSIONS

Length:	cm 31	Max Extension Length:	cm 100
Width:	cm 20	Glow Wire Test:	750
Height:	cm 35		
Base Diameter:	cm 20		
Max Extension Height:	cm 102		

INCLUDED SOURCES

Category:	LED	Color temperature (K):	3000K
Number:	1	Color Tolerance:	MacAdam 2SDCM
Watt:	9,37W	CRI:	90
Delivered lumens output (lm):	1129lm	Efficacy:	121lm/W
Type:	0	Service Life:	50000-L70
Class:	A		

LUMINAIRE

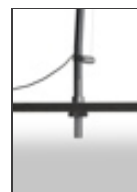
Watt:	12W	Delivered lumens output (lm):	960lm
		CCT:	3000K
		Efficiency:	84%
		Efficacy:	80.00lm/W
		CRI:	90
		Dimmer Typology:	Microswitch Dimmer

ACCESSORIES

DEMETRA LED T
BASE BCO
1733020A



DEMETRA
MORSETTO BCO
1744020A



DEMETRA
SUPPORTO T
FISSO BCO
1743020A