

Copernico 500 Suspension White



IP20

Dimmerable: + -

DESIGN BY

Carlotta de Bevilacqua, Paolo Dell'Elce

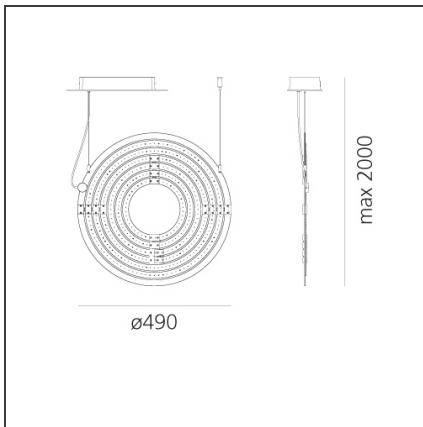
DESCRIPTION

Suspension lamp, an extension of the range of the Copernico series.

Copernico is obtained from a single laser-cut sheet of anodised aluminium; when off the device appears completely flat. The modest volume and weight significantly reduce energy use during the transportation and storage phase. The articulation with copper contacts (patent pending) allows the power supply to pass between the concentric ellipses that make up the structure, and enables these to be rotated independently over 360°.

The mobility of the elements and the low voltage LED light sources allow users to configure the light in space by clasping and physically moving the object, modulating emission according to need. The light flow can be oriented homogeneously in all directions (isotropic emission) or only spread over portions of the environment, enabling us to participate in the light experience.

TECHNICAL DRAWINGS



FEATURES

Article Code:	1608030A	Material:	Aluminum
Colour:	White	Series:	Design
Installation:	Suspension		

DIMENSIONS

Max Height from ceiling:	cm 220
---------------------------------	--------

INCLUDED SOURCES

Category:	LED	Color temperature (K):	3000K
Number:	1		
Watt:	27W		
Type:	0		
Class:	A		

LUMINAIRE

Watt:	27W	Delivered lumens output (lm):	2375lm
		CCT:	3000K
		Dimmable Typology:	Push