

**Choose Floor - Parchment/Chrome**



IP20    

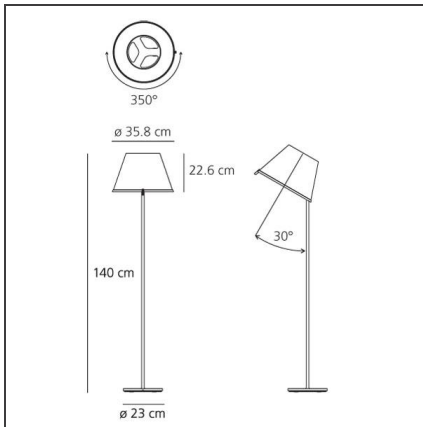
**DESIGN BY**

Matteo Thun

**DESCRIPTION**

Base in zamac, painted metal structure, adjustable diffuser in thermoformed material joined with parchment paper.

**TECHNICAL DRAWINGS**



**FEATURES**

<b>Article Code:</b>	1136120A	<b>Material:</b>	Polycarbonate, parchment paper, steel, zamak
<b>Colour:</b>	Parchment/Chrome	<b>Series:</b>	Design, Scenarios
<b>Installation:</b>	Table, Floor, Wall, Suspension	<b>Area contract:</b>	Hospitality
<b>Environment:</b>	Indoor	<b>Emission:</b>	Direct Spot

**DIMENSIONS**

<b>Height:</b>	cm 140	<b>Glow Wire Test:</b>	750
<b>Base Diameter:</b>	cm 23		

**NOT INCLUDED SOURCES**

<b>Category:</b>	HALO	<b>Color Rendering:</b>	2800K
<b>Number:</b>	2		
<b>Watt:</b>	57W		
<b>Socket:</b>	E27		

**ALTERNATIVE SOURCES**

<b>Category:</b>	LED
<b>Number:</b>	2
<b>Watt:</b>	8W
<b>Type:</b>	2
<b>Socket:</b>	E27
<b>Class:</b>	A

**LUMINAIRE**

<b>Watt:</b>	104W	<b>Delivered lumens output (lm):</b>	1640lm
<b>Voltage:</b>	220V-240V	<b>CCT:</b>	2800K