

## Cefiso Pole - 3000K - Grey/white



IP65   

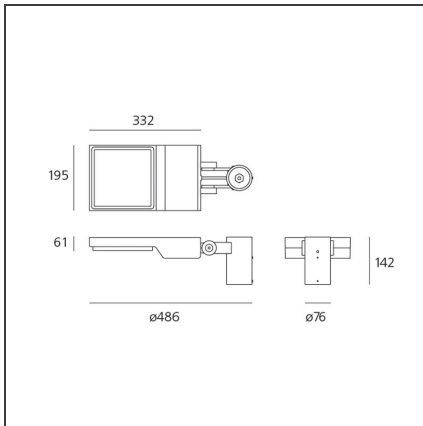
### DESIGN BY

Alessandro Pedretti

### DESCRIPTION

Light fixture with adjustable direct emission, with high-performance LED light sources. Pole installation. Available in two finishes: light grey painted and anthracite grey painted. Composed by lighting unit and pole support. Fixing is maintained by means of locking dowels. The pole, not supplied, must have a  $\varnothing$  60mm and h90mm shank for the correct fixing of the headpole. The pole height must be 4m from the ground to provide a correct surface lighting. At these conditions, the poles can be installed at a distance of 15m, suitable for lighting a 4m carriageway in compliance with S3 class for cycle tracks. Body in EN AB44100 aluminium, pole support in galvanized iron, silicone gaskets. Electronic ballast integrated in the body. The light fixture is protected from impulse overvoltage up to 4KV both in differential and common mode. Silicone-sealed silk-screened tempered glass. IP67 connector for electric connection to the mains, it can be housed in the pole compartment and is suitable for cables with a diameter of 5-13.5mm. LED circuits with PMMA lenses with road emission beam. White monochromatic LEDs available in 3 colour temperatures: Warm = 3000K Neutral = 4000K Cold = 6000K Screws in AISI 316 stainless steel. All parts in die-cast aluminium and galvanized iron are painted with 3-stage outdoor treatment: nanotechnologies, antioxidant primer, polyester paint. Technical features of light fixtures in compliance with EN60598-1 and part 2-5. IP Rating IP65. Insulation class II.

### TECHNICAL DRAWINGS



### FEATURES

<b>Article Code:</b>	T418200W00	<b>Material:</b>	Aluminum, tempered glass, methacrylate, galvanized iron
<b>Colour:</b>	Grey/white	<b>Series:</b>	Outdoor
<b>Installation:</b>	Pole		

### DIMENSIONS

<b>Length:</b>	cm 48.5	<b>Impact Resistance:</b>	IK10
<b>Width:</b>	cm 19.5		
<b>Max Extension Height:</b>	cm 400		

### INCLUDED SOURCES

<b>Category:</b>	LED	<b>Color temperature (K):</b>	3000K
<b>Number:</b>	1	<b>CRI:</b>	80
<b>Watt:</b>	41W		
<b>Type:</b>	0		
<b>Class:</b>	A		

### LUMINAIRE

<b>Watt:</b>	41W	<b>Delivered lumens output (lm):</b>	1848lm
<b>Voltage:</b>	220V-240V	<b>CCT:</b>	3000K
		<b>Efficiency:</b>	100%
		<b>Efficacy:</b>	46.20lm/W
		<b>CRI:</b>	80