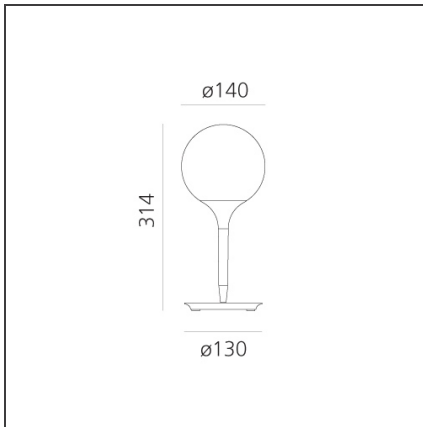


Castore Table 14 (E14)



IP20   

TECHNICAL DRAWINGS



DESIGN BY

Michele De Lucchi, Huub Ubbens

DESCRIPTION

The spherical diffuser design is enhanced by a removable-fitting and tapering luminous stem, that makes the transition from the strong diffuser light to the blind lamp structure area gentle. Base in zamak, stem in thermoplastic resin, blown glass diffuser.

FEATURES

| | | | |
|----------------------|----------|-----------------------|-----------------------------------|
| Article Code: | 1044110A | Material: | Zamak, polycarbonate, blown glass |
| Colour: | White | Series: | Design |
| Installation: | Table | Area contract: | Hospitality, Retail, Residential |
| Environment: | Indoor | Emission: | Diffused |

DIMENSIONS

| | | | |
|-----------------------|---------|------------------------|-----|
| Height: | cm 31.4 | Glow Wire Test: | 850 |
| Base Diameter: | cm 12.2 | | |

SOURCES NOT INCLUDED

| | | | |
|------------------|-----|-------------|----|
| Category: | LED | CRI: | 80 |
| Number: | 1 | | |
| Watt: | 4W | | |
| Type: | 2 | | |
| Socket: | E14 | | |

LUMINAIRE

| | | | |
|-----------------|-----------|--------------------------------------|-----------|
| Watt: | 4W | Delivered lumens output (lm): | 296lm |
| Voltage: | 220V-240V | CCT: | 2700K |
| | | Efficiency: | 86% |
| | | Efficacy: | 74.04lm/W |
| | | CRI: | 80 |

Notes

Lamp included. Available in four sizes.