

# Calumet 13 wall 6° 3000K



IP65 

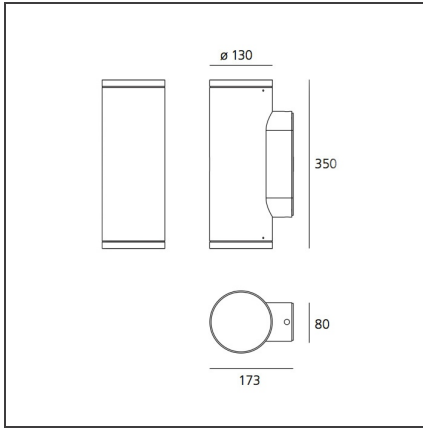
## DESIGN BY

Ernesto Gismondi

## DESCRIPTION

Lighting system with single or double emission, with high-performance LED light sources combined with lenses which optimize the light emitting efficiency of the beams and determine their spread. Available in two sizes: ø 8 e ø 13 cm. Ceiling and wall installation. Available in two finishes: light grey and painted anthracite grey painted.

## TECHNICAL DRAWINGS



## FEATURES

<b>Article Code:</b>	T41941NW00	<b>Material:</b>	Aluminum, tempered glass, methacrylate
<b>Colour:</b>	white/grey	<b>Series:</b>	Outdoor
<b>Installation:</b>	Wall		

## DIMENSIONS

<b>Length:</b>	cm 17.3	<b>Impact Resistance:</b>	09
<b>Width:</b>	cm 8		
<b>Height:</b>	cm 35		

## INCLUDED SOURCES

<b>Category:</b>	LED	<b>Color temperature (K):</b>	3000K
<b>Number:</b>	2	<b>CRI:</b>	80 typ
<b>Watt:</b>	4W		
<b>Delivered lumens output (lm):</b>	184lm		
<b>Type:</b>	0		
<b>Class:</b>	A		

## LUMINAIRE

<b>Watt:</b>	7,5W	<b>Delivered lumens output (lm):</b>	366lm
<b>Voltage:</b>	220V-240V	<b>CCT:</b>	3000K
		<b>Efficiency:</b>	100%
		<b>Efficacy:</b>	45.75lm/W
		<b>CRI:</b>	80